

RADSOK® PowerBlok™ WTB (Wire to Board)

The Amphenol Industrial Products Group offers a line of low profile wire to board connectors. Our PowerBlok™ WTB power connectors use patented RADSOK® contact technology to meet the increasing power requirements of printed circuit boards and the need for smaller board footprint. Offered in vertical or horizontal mating planes as single-point contact terminals, the WTB product line gives the versatility needed when component placement decisions are crucial. Supplied in easily automated tape-and-reel packaging and designed as pin through hole placement commonly used in the industry. Integration is straightforward whether from design onset or as a component replacement. With the addition of a removable lock housing, mating to the board can remain intact under harsh vibration environments.

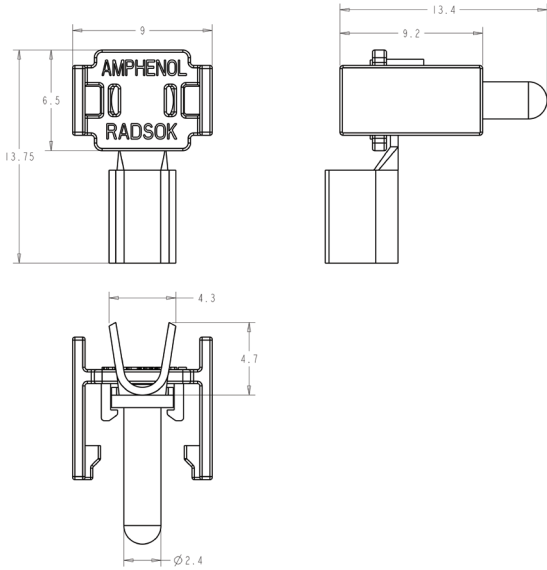
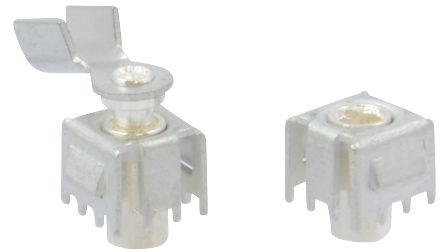
Features:

- RADSOK® sizes 2.4mm and 3.6mm
- 35A and 70A rated single point of contact
- Low profile right angle exit less than ½ inch mated height
- 12-14 AWG or 6-8 AWG crimp contact with insulated latching housings
- RADSOK® Socket and pin / silver over nickel plating
- Crimp barrel and receptacle body / tin over nickel plating

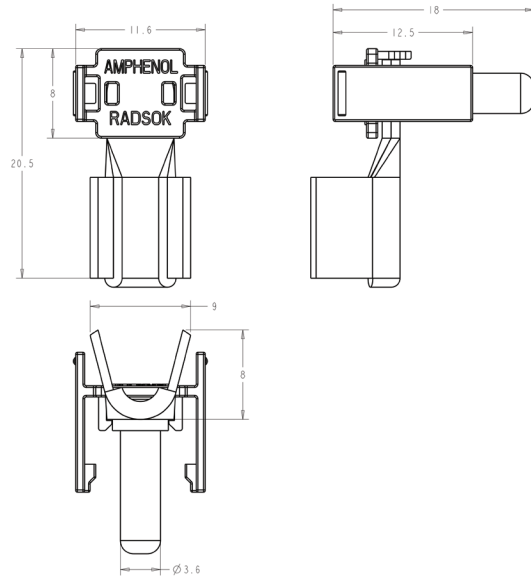


Technical Data

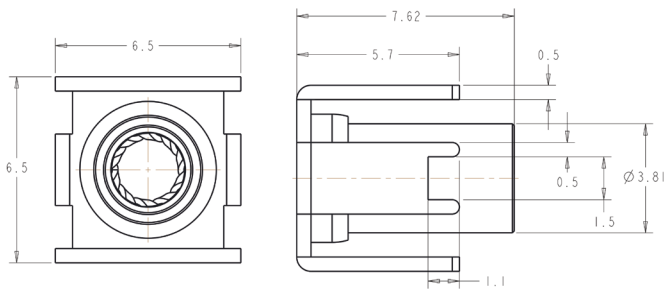
RADSOK® Size	2.4mm	3.6mm
Current Rating	35A	70A
Wire Gauge	12-14 AWG	6-8 AWG



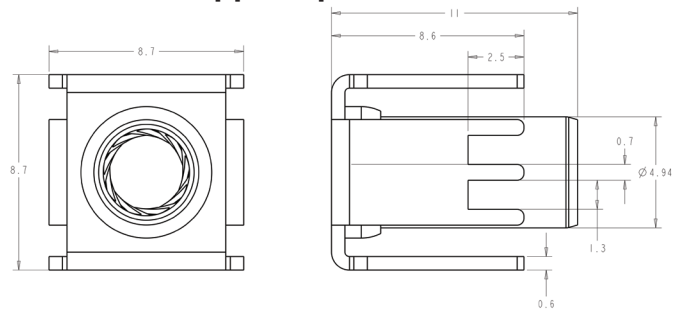
10-729455-000
2.4mm cable applied pin



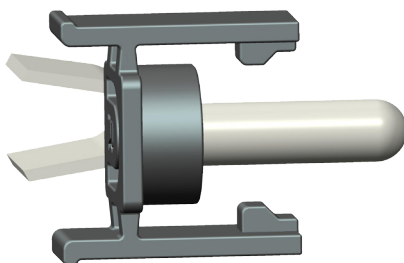
10-729922-000
3.6mm cable applied pin



10-707991-000
2.4mm board mount receptacle



10-729923-000
3.6mm board mount receptacle



Part Number	Description
10-707991-000	2.4mm board mount receptacle
10-729455-000	2.4mm cable applied pin
10-729923-000	3.6mm board mount receptacle
10-729922-000	3.6mm cable applied pin

Notice: Specifications are subject to change without notice. Contact your nearest Amphenol Corporation Sales Office for the latest specifications. All statements, information and data given herein are believed to be accurate and reliable but are presented without guarantee, warranty, or responsibility of any kind, expressed or implied. Statements of suggestions concerning possible use of our products are made without representation or warranty that any such use is free of patent infringement and are not recommendations to infringe any patent. The user should assume that all safety measures are indicated or that other measures may not be required. Specifications are typical and may not apply to all connectors.

For further information on your individual application requirements, contact: Amphenol Corporation

North America:
Amphenol Industrial Operations
180 N. Freepoint Drive, Plant 4
Nogales, AZ 85621
Tel: (520) 285-5130
Fax: (520) 285-5134

Email: rpdrzzini@amphenol-aio.com

Europe:
Amphenol Industrial Operations Europe
Via Barbaiana 5
1-20020 Lainate (MI) Italy
Tel: +39 02 93254.204
Fax: +39 02 93254.444

Email: info@amphenol-aio.com

Middle East:
Amphenol Middle East Enterprises FZE
Postal: PO Box 21107, Aiman Free Zone - UAE
Physical: Warehouse #C1-16, Aiman
Free Zone - UAE
Phone: +9 716-7422494
Fax: +9 716-7422941

Asia:
Amphenol Technology (Zhuhai) Co.,
LTD
No.63, Xin Han Rd., San Zao Town,
Jin Wan District
Zhuhai City, China 519040
Tel: +0756-3989760
Fax: +0756-3989768
www.amphenol-industrial.com

Mouser Electronics

Authorized Distributor

Click to View Pricing, Inventory, Delivery & Lifecycle Information:

[Amphenol:](#)

[10-729455-000](#) [10-707991-000](#) [10-729922-000](#) [10-729923-000](#)