

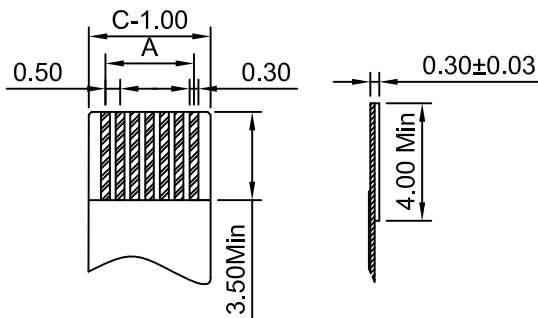
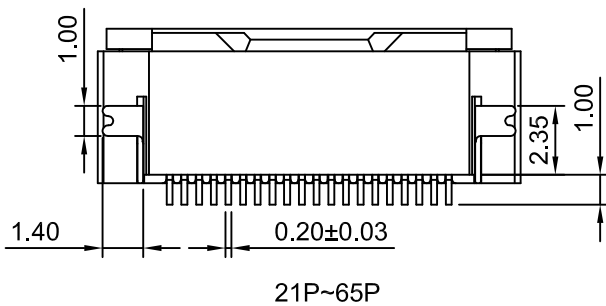
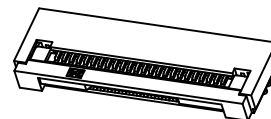
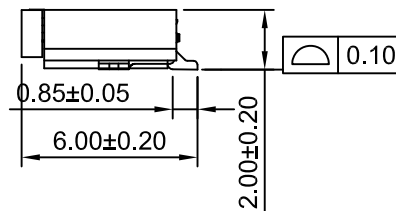
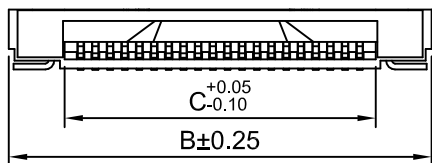
**Ordering Information:**

F0501WR-S-XP - \*\*\* - \*\*\*  
1 2 3

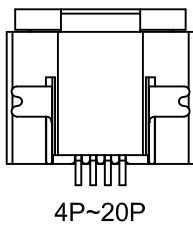
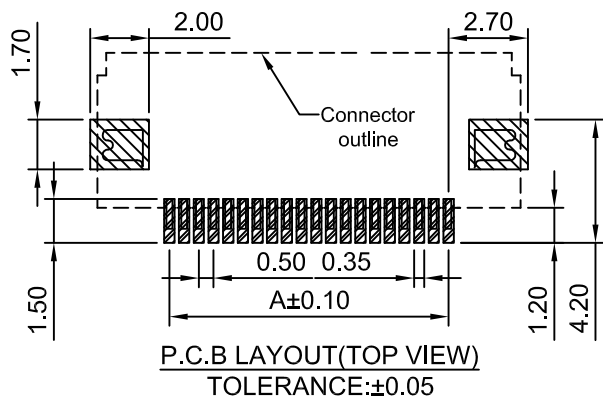
- Part NO.
- Pin Finish:  
(Blank): Tin over Nickel  
G: Gold over Nickel
- Packing:  
(Blank): Tape & Reel

**SPECIFICATIONS:**

Current Rating: 0.5A AC,DC  
Voltage Rating: 50V AC,DC  
Temperature Range: -40°C ~ +105°C  
Contact Resistance: 40mΩ Max.  
Insulation Resistance: 500MΩ Min.  
Withstanding Voltage: 250V AC/minute  
Pin Material: Phosphor Bronze  
Solder tabs: Brass/Tin over Nickel  
Housing Material: LCP,UL94V-0(Natural)  
Locking Cap Material: LCP,UL94V-0(Black)



APPLICABLE FFC/FPC  
TOLERANCE:±0.05



**Ordering Information & Dimensions**

| Circuits | Dimensions(mm) |       |       | Circuits | Dimensions(mm) |       |       |
|----------|----------------|-------|-------|----------|----------------|-------|-------|
|          | A              | B     | C     |          | A              | B     | C     |
| 4P       | 1.50           | 6.40  | 2.60  | 35P      | 17.00          | 21.90 | 18.10 |
| 5P       | 2.00           | 6.90  | 3.10  | 36P      | 17.50          | 22.40 | 18.60 |
| 6P       | 2.50           | 7.40  | 3.60  | 37P      | 18.00          | 22.90 | 19.10 |
| 7P       | 3.00           | 7.90  | 4.10  | 38P      | 18.50          | 23.40 | 19.60 |
| 8P       | 3.50           | 8.40  | 4.60  | 39P      | 19.00          | 23.90 | 20.10 |
| 9P       | 4.00           | 8.90  | 5.10  | 40P      | 19.50          | 24.40 | 20.60 |
| 10P      | 4.50           | 9.40  | 5.60  | 41P      | 20.00          | 24.90 | 21.10 |
| 11P      | 5.00           | 9.90  | 6.10  | 42P      | 20.50          | 25.40 | 21.60 |
| 12P      | 5.50           | 10.40 | 6.60  | 43P      | 21.00          | 25.90 | 22.10 |
| 13P      | 6.00           | 10.90 | 7.10  | 44P      | 21.50          | 26.40 | 22.60 |
| 14P      | 6.50           | 11.40 | 7.60  | 45P      | 22.00          | 26.90 | 23.10 |
| 15P      | 7.00           | 11.90 | 8.10  | 46P      | 22.50          | 27.40 | 23.60 |
| 16P      | 7.50           | 12.40 | 8.60  | 47P      | 23.00          | 27.90 | 24.10 |
| 17P      | 8.00           | 12.90 | 9.10  | 48P      | 23.50          | 28.40 | 24.60 |
| 18P      | 8.50           | 13.40 | 9.60  | 49P      | 24.00          | 28.90 | 25.10 |
| 19P      | 9.00           | 13.90 | 10.10 | 50P      | 24.50          | 29.40 | 25.60 |
| 20P      | 9.50           | 14.40 | 10.60 | 51P      | 25.00          | 29.90 | 26.10 |
| 21P      | 10.00          | 14.90 | 11.10 | 52P      | 25.50          | 30.40 | 26.60 |
| 22P      | 10.50          | 15.40 | 11.60 | 53P      | 26.00          | 30.90 | 27.10 |
| 23P      | 11.00          | 15.90 | 12.10 | 54P      | 26.50          | 31.40 | 27.60 |
| 24P      | 11.50          | 16.40 | 12.60 | 55P      | 27.00          | 31.90 | 28.10 |
| 25P      | 12.00          | 16.90 | 13.10 | 56P      | 27.50          | 32.40 | 28.60 |
| 26P      | 12.50          | 17.40 | 13.60 | 57P      | 28.00          | 32.90 | 29.10 |
| 27P      | 13.00          | 17.90 | 14.10 | 58P      | 28.50          | 33.40 | 29.60 |
| 28P      | 13.50          | 18.40 | 14.60 | 59P      | 29.00          | 33.90 | 30.10 |
| 29P      | 14.00          | 18.90 | 15.10 | 60P      | 29.50          | 34.40 | 30.60 |
| 30P      | 14.50          | 19.40 | 15.60 | 61P      | 30.00          | 34.90 | 31.10 |
| 31P      | 15.00          | 19.90 | 16.10 | 62P      | 30.50          | 35.40 | 31.60 |
| 32P      | 15.50          | 20.40 | 16.60 | 63P      | 31.00          | 35.90 | 32.10 |
| 33P      | 16.00          | 20.90 | 17.10 | 64P      | 31.50          | 36.40 | 32.60 |
| 34P      | 16.50          | 21.40 | 17.60 | 65P      | 32.00          | 36.90 | 33.10 |

**CJTconn** CHANGJIANG CONNECTORS CO.,LTD.

|   |                        |             |  |
|---|------------------------|-------------|--|
| Unit  | Scale                  | Sheet       | TITLE  |
| mm  | 4:1                    | 1 of 1      | 0.50mm PITCH<br>FFC/FPC CONNECTOR<br>-SMD TYPE |
| DRAWN   | CHK'D                  | APPR        | DRAWING NO.                                    |
| Haisen Li   | Diankui Wan            | Jack Yin    | F0501WR-S-XP                                   |
| General Tolerances                                | THIRD ANGLE PROJECTION |             | REV  |
| x.x±0.25<br>x.xx±0.20<br>x.xxx±0.15<br>ANGLES ±1° | A0                     | NEW RELEASE | A0   |
|   | REV                    | DESCRIPTION |  |
|   |                        | DATE        |  |

|     |             |            |
|-----|-------------|------------|
| A0  | NEW RELEASE | 2023.09.21 |
| REV | DESCRIPTION | DATE       |