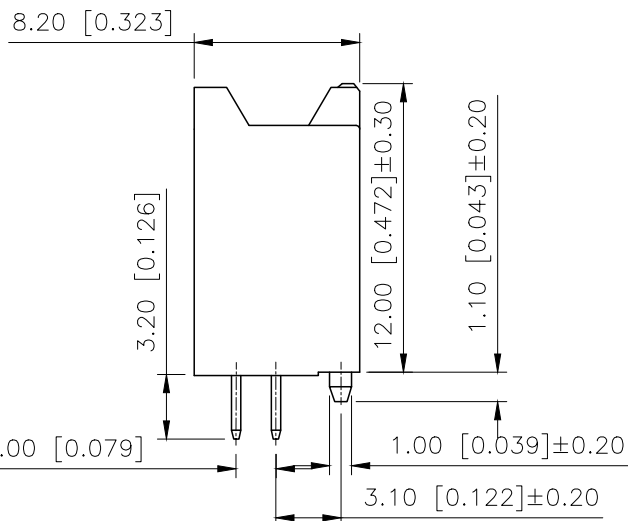
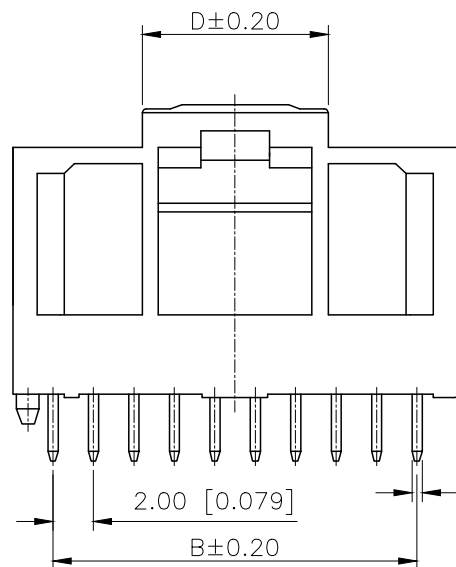


REVISIONS					
REV.	ECN NO.	LOCATION	DESCRIPTION	DATE	DESIGN
A0	N/A		INITIAL RELEASE	/	/
A1	N/A		图面升级整理图面	2024.12.9	阿树

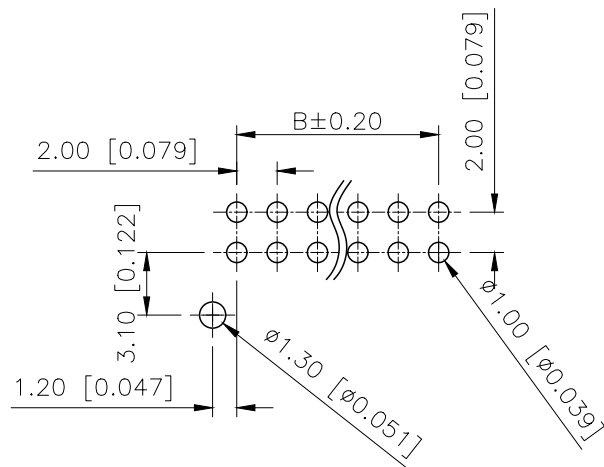
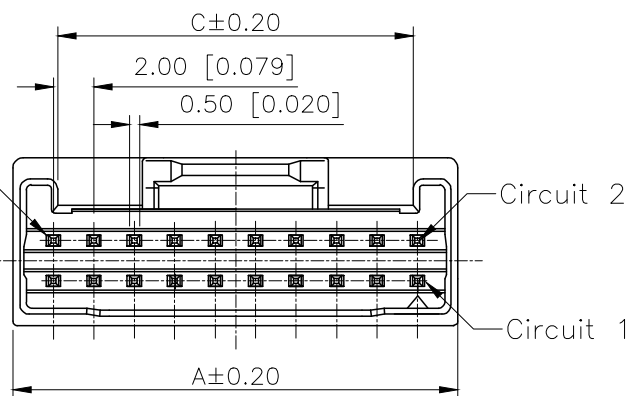


Specifications:
 规格:
 Voltage rating:250V AC/DC
 额定电压: 250V AC/DC
 Current rating:1A AC/DC
 额定电流: 1A AC/DC
 Withstanding voltage:800V
 AC/minute
 耐受电压: 800V AC/分钟
 Temperature range:-40°C-+125°C
 温度范围: -40°C-+125°C
 Insulation resistance:≥1000MΩ
 绝缘电阻: ≥1000MΩ
 Contact resistance:≤10mΩ
 接触电阻: ≤10mΩ

PART NO.:

X2081 W V-2xXX-N0 SN
 ① ② ③ ④ ⑤ ⑥

- ①Series No
- ②Category:W-Wafer
- ③Welding Board Angle:V-Stright 180°
- ④Row No.Pin No:2xXX-2X05~2x20P
- ⑤Material:N0-PA66 UL94V-0
- ⑥Plating:SN-Bright Tin Plated



PCB LAYOUT

Poles	Dimensions(mm)				Poles	Dimensions(mm)			
	A	B	C	D		A	B	C	D
2x05	12.00	8.00	10.70	7.30	2x13	28.00	24.00	26.70	9.20
2x06	14.00	10.00	12.70		2x14	30.00	26.00	28.70	
2x07	16.00	12.00	14.70		2x15	32.00	28.00	30.70	
2x08	18.00	14.00	16.70		2x16	34.00	30.00	32.70	
2x09	20.00	16.00	18.70	9.20	2x17	36.00	32.00	34.70	
2x10	22.00	18.00	20.70		2x18	38.00	34.00	36.70	
2x11	24.00	20.00	22.70		2x19	40.00	36.00	38.70	
2x12	26.00	22.00	24.70		2x20	42.00	38.00	40.70	

X2081WV-2xXX-N0SN	PA66	Brass	X2081H
PART NO	Material	Material(Pin)	Suitable XKB Housing

AuGLAR	±5°
X.	±0.40
X.x	±0.30
X.xx	±0.20
X.xxx	±0.15
UNSPECIFIED TOLERANCES	



DESIGN	阿树	VIEW:		MODEL TYPE: 2.0mm Crimp Style Connector
CHECKED		UNIT:	mm/in	PART NO.: X2081WV-2xXX-N0SN
APPROVED		SIZE:	A4	DWG NO.:

XKB INDUSTRIAL PRECISION CO.,LIMITED

SCALE	PAGE	REVISION
N/A	1/1	A1