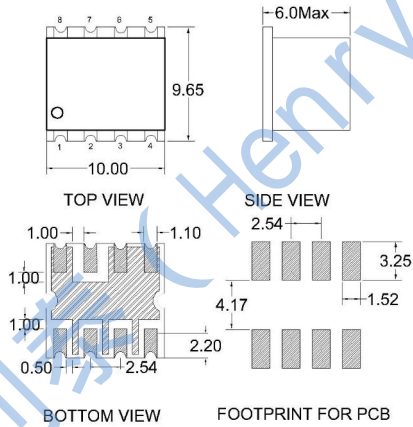




1-500MHz 50Ω 4 Ways 0° Power Splitter

HT-AD4PS-1+

Mechanical Dimensions:



Notes:

- 1: Dimensions in mm.
- 2: Tolerance $\pm 0.3\text{mm}$ unless otherwise noted.

Ports Configuration:

SUM PORT	2
PORT1	8
PORT2	7
PORT3	6
PORT4	5
GROUND	1,3,4

Schematic:



Maximum Ratings:

Parameters	Conditions	Unit	Min	Max
RF Power		Watt		2
DC Current		mA		500
Operating Temperature Range		Degree Cel	-40	85
Storage Temperature Range		Degree Cel	-55	100
Moisture Sensitivity Level				1

Ordering Information:

Part Description	Details
HT-AD4PS-1+	500 per reel



1-500MHz 50Ω 4 Ways 0° Power Splitter

HT-AD4PS-1+

Electrical Specifications: Zo=50 Ohm Pin = 0 dBm

Parameter	Test Conditions	Unit	Min	Typical	Max
Frequency Range	-	MHz	1	~	500
Insertion Loss	1-500MHz	dB	-	0.5	1
Amplitude unbalance	1-500MHz	dB	-	0.1	0.5
Phase unbalance	1-500MHz	°	-	1	10
Input VSWR	1-500MHz	VSWR	-	1.1	1.4
Output VSWR	1-500MHz	VSWR	-	1.25	1.5
Isolation	1-500MHz	dB	20	30	-

Notes:

1: Specifications guaranteed over the operating temperature range.

Typical Performance Curves:

