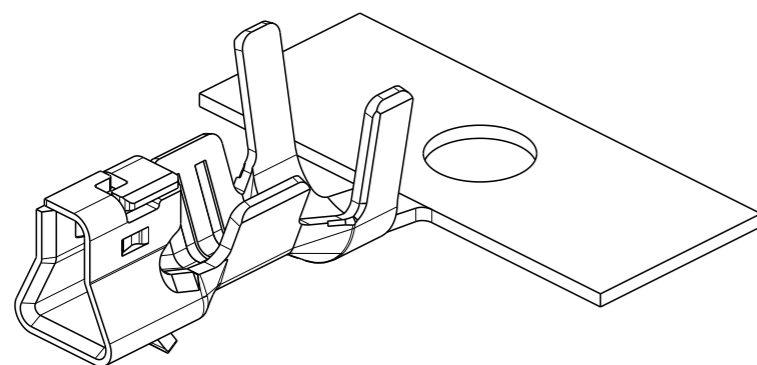
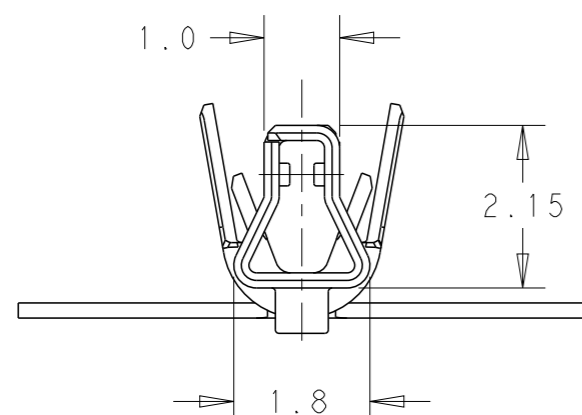
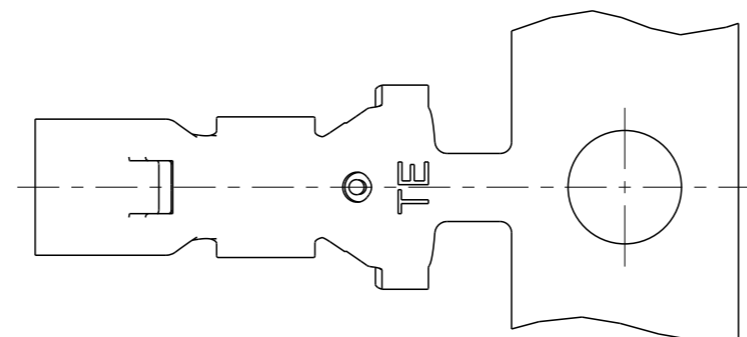
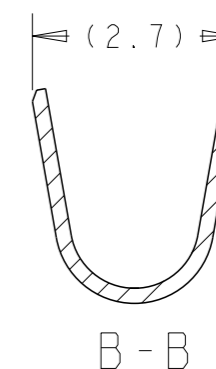
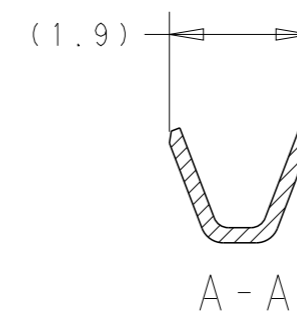
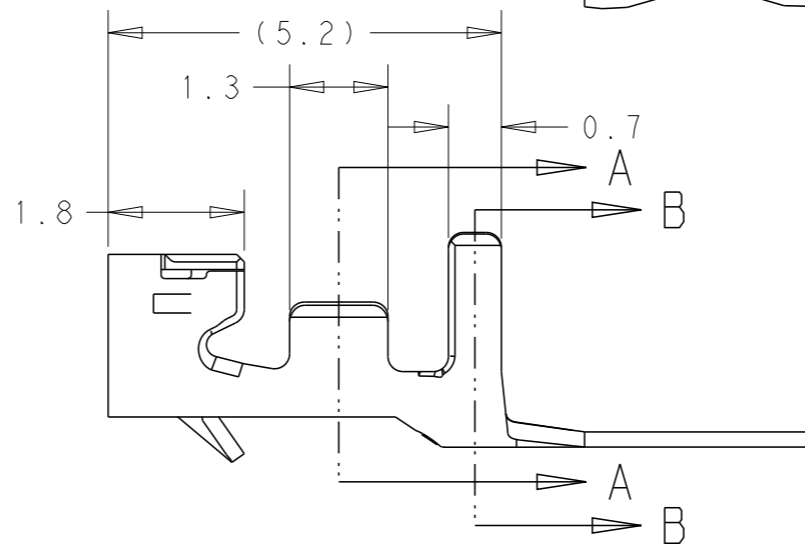
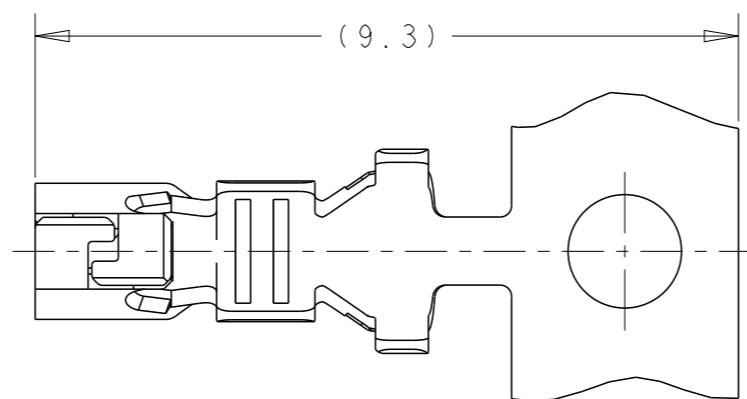


REVISIONS

P	LTR	DESCRIPTION	DATE	DWN	APVD
A1		RELEASED	04APR2018	K.S	D.Z
A2		ADD 2318468-2	17OCT2018	M.M	D.Z
B		REVISED PER ECR-23-188317	12MAR2024	GDK	DZ



1. APPLICABLE PLUG HOUSING P/N: X-1376477-X

Ø1.2 ~ Ø1.9mm	AWG #26 ~ #22 (0.12~0.38mm ²)	SAME WITH 2318468-1 BUT WITH ANTI-FRETTING LUBRICANT.	2318468-2
Ø1.2 ~ Ø1.9mm	AWG #26 ~ #22 (0.12~0.38mm ²)	PRE TIN PLATED COPPER ALLOY (0.2+)	2318468-1
INSULATION DIA.	WIRE RANGE	MATERIAL & FINISH	PART No.

THIS DRAWING IS A CONTROLLED DOCUMENT.

DWN 02MAY2017
K.SAKAI

CHK 02MAY2017
DANIEL ZHANG

APVD 02MAY2017
DANIEL ZHANG

PRODUCT SPEC

108-5703

APPLICATION SPEC

114-5286

WEIGHT

0.08g

NAME
2.5mm SIGNAL MATE CONNECTOR
RECEPTACLE CONTACT



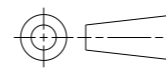
SIZE CAGE CODE DRAWING NO RESTRICTED TO

A3 - C-2318468 -

CUSTOMER DRAWING SCALE 10:1 SHEET 1 OF 1 REV B

DIMENSIONS:

mm



TOLERANCES UNLESS OTHERWISE SPECIFIED:
±0.2

Ø PLC	±
1 PLC	±
2 PLC	±
3 PLC	±
4 PLC	±
ANGLES	±3°

MATERIAL
SEE TABLE

FINISH
SEE TABLE