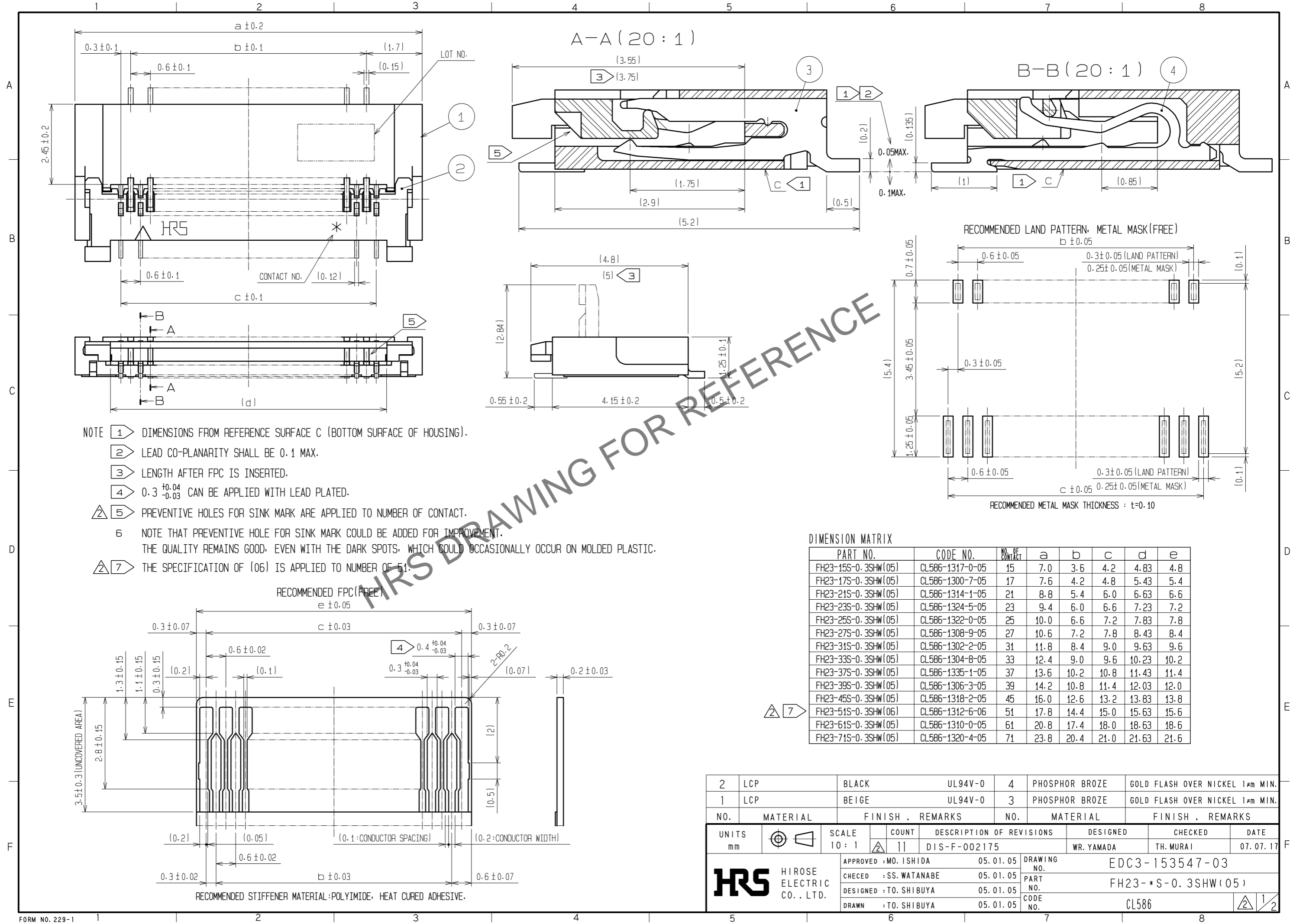


Jul.1.2024 Copyright 2024 HIROSE ELECTRIC CO., LTD. All Rights Reserved.
 In case of consideration for using Automotive equipment / device which demand high reliability, kindly contact our sales window correspondents.



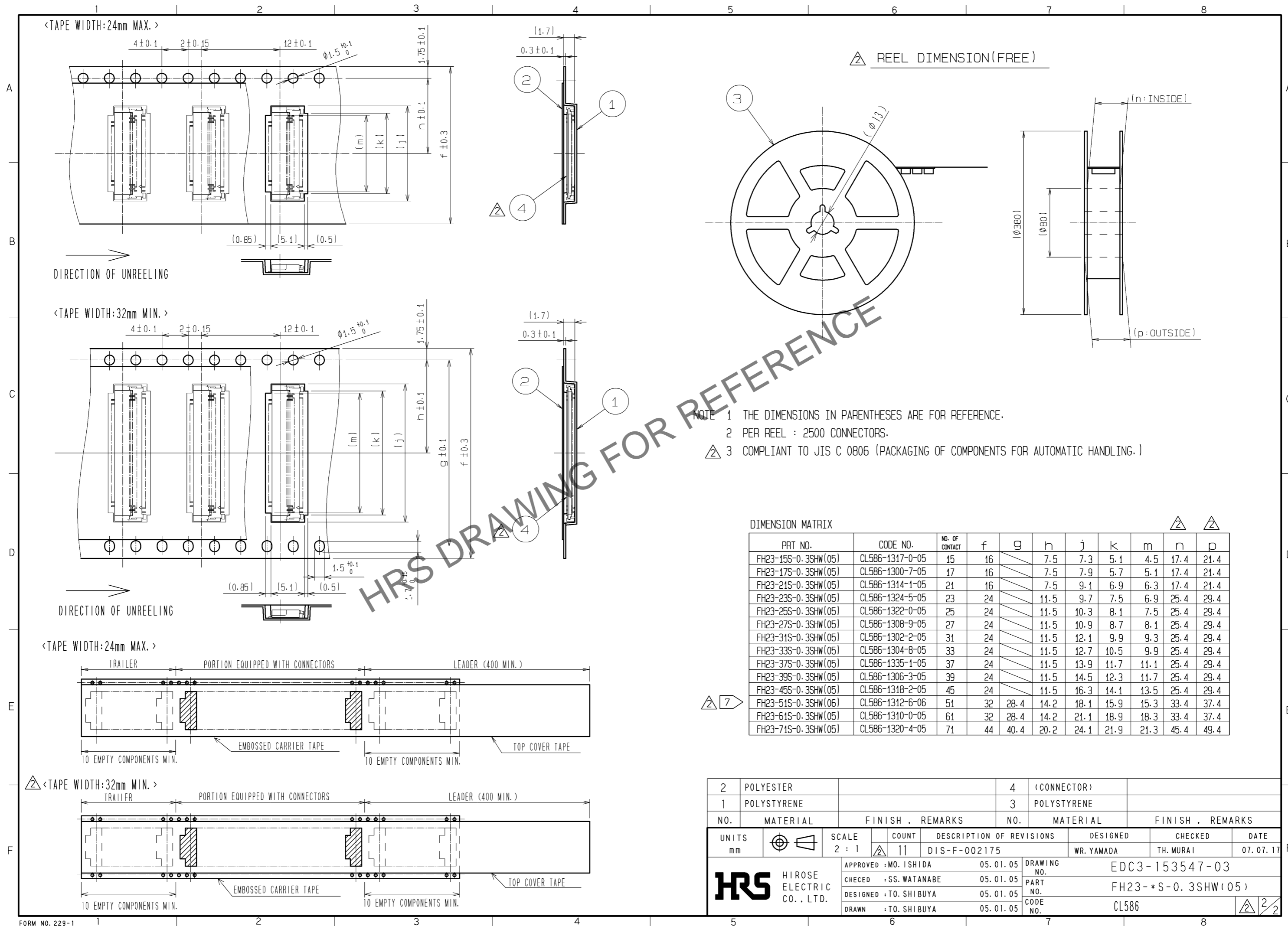
- NOTE
- ① DIMENSIONS FROM REFERENCE SURFACE C (BOTTOM SURFACE OF HOUSING).
 - ② LEAD CO-PLANARITY SHALL BE 0.1 MAX.
 - ③ LENGTH AFTER FPC IS INSERTED.
 - ④ $0.3 \begin{smallmatrix} +0.04 \\ -0.03 \end{smallmatrix}$ CAN BE APPLIED WITH LEAD PLATED.
 - ⑤ PREVENTIVE HOLES FOR SINK MARK ARE APPLIED TO NUMBER OF CONTACT.
 - ⑥ NOTE THAT PREVENTIVE HOLE FOR SINK MARK COULD BE ADDED FOR IMPROVEMENT. THE QUALITY REMAINS GOOD, EVEN WITH THE DARK SPOTS, WHICH COULD OCCASIONALLY OCCUR ON MOLDED PLASTIC.
 - ⑦ THE SPECIFICATION OF (06) IS APPLIED TO NUMBER OF 51.

DIMENSION MATRIX

PART NO.	CODE NO.	NO. OF CONTACT	a	b	c	d	e
FH23-15S-0.3SHW(05)	CL586-1317-0-05	15	7.0	3.6	4.2	4.83	4.8
FH23-17S-0.3SHW(05)	CL586-1300-7-05	17	7.6	4.2	4.8	5.43	5.4
FH23-21S-0.3SHW(05)	CL586-1314-1-05	21	8.8	5.4	6.0	6.63	6.6
FH23-23S-0.3SHW(05)	CL586-1324-5-05	23	9.4	6.0	6.6	7.23	7.2
FH23-25S-0.3SHW(05)	CL586-1322-0-05	25	10.0	6.6	7.2	7.83	7.8
FH23-27S-0.3SHW(05)	CL586-1308-9-05	27	10.6	7.2	7.8	8.43	8.4
FH23-31S-0.3SHW(05)	CL586-1302-2-05	31	11.8	8.4	9.0	9.63	9.6
FH23-33S-0.3SHW(05)	CL586-1304-8-05	33	12.4	9.0	9.6	10.23	10.2
FH23-37S-0.3SHW(05)	CL586-1335-1-05	37	13.6	10.2	10.8	11.43	11.4
FH23-39S-0.3SHW(05)	CL586-1306-3-05	39	14.2	10.8	11.4	12.03	12.0
FH23-45S-0.3SHW(05)	CL586-1318-2-05	45	16.0	12.6	13.2	13.83	13.8
FH23-51S-0.3SHW(06)	CL586-1312-6-06	51	17.8	14.4	15.0	15.63	15.6
FH23-61S-0.3SHW(05)	CL586-1310-0-05	61	20.8	17.4	18.0	18.63	18.6
FH23-71S-0.3SHW(05)	CL586-1320-4-05	71	23.8	20.4	21.0	21.63	21.6

2	LCP	BLACK	UL94V-0	4	PHOSPHOR BROZE	GOLD FLASH OVER NICKEL 1μm MIN.	
1	LCP	BEIGE	UL94V-0	3	PHOSPHOR BROZE	GOLD FLASH OVER NICKEL 1μm MIN.	
NO.	MATERIAL	FINISH	REMARKS	NO.	MATERIAL	FINISH	REMARKS
UNITS	mm	SCALE	10:1	COUNT	11	DESCRIPTION OF REVISIONS	DIS-F-002175
APPROVED : MO. ISHIDA 05.01.05				DESIGNED			WR. YAMADA
CHECKED : SS. WATANABE 05.01.05				CHECKED			TH. MURAI
DESIGNED : TO. SHIBUYA 05.01.05				DATE			07.07.17
DRAWN : TO. SHIBUYA 05.01.05				DRAWING NO.			EDC3-153547-03
HRS HIROSE ELECTRIC CO., LTD.				PART NO.			FH23-*S-0.3SHW(05)
				CODE NO.			CL586

Jul.1.2024 Copyright 2024 HIROSE ELECTRIC CO., LTD. All Rights Reserved.
 In case of consideration for using Automotive equipment / device which demand high reliability, kindly contact our sales window correspondents.



REEL DIMENSION(FREE)

NOTE 1 THE DIMENSIONS IN PARENTHESES ARE FOR REFERENCE.
 2 PER REEL : 2500 CONNECTORS.
 3 COMPLIANT TO JIS C 0806 (PACKAGING OF COMPONENTS FOR AUTOMATIC HANDLING.)

DIMENSION MATRIX

PRT NO.	CODE NO.	NO. OF CONTACT	f	g	h	j	k	m	n	p
FH23-15S-0.3SHW(05)	CL586-1317-0-05	15	16		7.5	7.3	5.1	4.5	17.4	21.4
FH23-17S-0.3SHW(05)	CL586-1300-7-05	17	16		7.5	7.9	5.7	5.1	17.4	21.4
FH23-21S-0.3SHW(05)	CL586-1314-1-05	21	16		7.5	9.1	6.9	6.3	17.4	21.4
FH23-23S-0.3SHW(05)	CL586-1324-5-05	23	24		11.5	9.7	7.5	6.9	25.4	29.4
FH23-25S-0.3SHW(05)	CL586-1322-0-05	25	24		11.5	10.3	8.1	7.5	25.4	29.4
FH23-27S-0.3SHW(05)	CL586-1308-9-05	27	24		11.5	10.9	8.7	8.1	25.4	29.4
FH23-31S-0.3SHW(05)	CL586-1302-2-05	31	24		11.5	12.1	9.9	9.3	25.4	29.4
FH23-33S-0.3SHW(05)	CL586-1304-8-05	33	24		11.5	12.7	10.5	9.9	25.4	29.4
FH23-37S-0.3SHW(05)	CL586-1335-1-05	37	24		11.5	13.9	11.7	11.1	25.4	29.4
FH23-39S-0.3SHW(05)	CL586-1306-3-05	39	24		11.5	14.5	12.3	11.7	25.4	29.4
FH23-45S-0.3SHW(05)	CL586-1318-2-05	45	24		11.5	16.3	14.1	13.5	25.4	29.4
FH23-51S-0.3SHW(06)	CL586-1312-6-06	51	32	28.4	14.2	18.1	15.9	15.3	33.4	37.4
FH23-61S-0.3SHW(05)	CL586-1310-0-05	61	32	28.4	14.2	21.1	18.9	18.3	33.4	37.4
FH23-71S-0.3SHW(05)	CL586-1320-4-05	71	44	40.4	20.2	24.1	21.9	21.3	45.4	49.4

2	POLYESTER		4	(CONNECTOR)						
1	POLYSTYRENE		3	POLYSTYRENE						
NO.	MATERIAL	FINISH . REMARKS	NO.	MATERIAL	FINISH . REMARKS					
UNITS	mm	SCALE	2 : 1	COUNT	11	DESCRIPTION OF REVISIONS	DESIGNED	CHECKED	DATE	
				DIS-F-002175		WR. YAMADA		TH. MURAI		07.07.17
APPROVED : MO. ISHIDA		05.01.05		DRAWING NO.		EDC3-153547-03				
CHECKED : SS. WATANABE		05.01.05		PART NO.		FH23-*S-0.3SHW(05)				
DESIGNED : TO. SHIBUYA		05.01.05		CODE NO.		CL586				
DRAWN : TO. SHIBUYA		05.01.05								