



CGS | CGS RLP73

TE Internal #: 1-2176055-0

Current Sensing Resistor, Thick Film, 1206, .5 W, .024 ohm, 1 %, ±400 ppm/°C, Solder, 2 Termination, Height .55 mm [.022 in], CGS

RLP73

[View on TE.com >](#)

Passive Components > Resistors > Surface Mount Resistors > Thick Film Resistor: Current Sense



Resistor Type: **Current Sensing Resistor**

Element Type: **Thick Film**

Package Size Code: **1206**

Power Rating: **.5 W**

Resistance Value: **.024 Ω**

[All Thick Film Resistor: Current Sense \(214\)](#)

Features

Product Type Features

Resistor Type	Current Sensing Resistor
Element Type	Thick Film
Package Size Code	1206

Configuration Features

Number of Resistors	1
---------------------	---

Electrical Characteristics

Power Rating	.5 W
Resistance Value	.024 Ω
Resistance Class	Up to 1kΩ
Passive Component Tolerance	1 %

Termination Features

Surface Mount Resistor Termination Type	Solder
Number of Terminations	2

Dimensions

Product Height	.55 mm[.022 in]
Product Length	3.1 mm[.122 in]



Product Width	1.55 mm[.061 in]
---------------	------------------

Usage Conditions

Temperature Coefficient	±400 ppm/°C
-------------------------	-------------

Packaging Features

Packaging Method	Taped & Reeled
------------------	----------------

Product Compliance

[For compliance documentation, visit the product page on TE.com>](#)

EU RoHS Directive 2011/65/EU	Compliant with Exemptions
EU ELV Directive 2000/53/EC	Compliant with Exemptions
China RoHS 2 Directive MIIT Order No 32, 2016	Restricted Materials Above Threshold
EU REACH Regulation (EC) No. 1907/2006	Current ECHA Candidate List: JUNE 2024 (241) Candidate List Declared Against: JUNE 2023 (235) Does not contain REACH SVHC
Halogen Content	Low Halogen - Br, Cl, F, I < 900 ppm per homogenous material. Also BFR/CFR/PVC Free
Solder Process Capability	Reflow solder capable to 260°C

Product Compliance Disclaimer

This information is provided based on reasonable inquiry of our suppliers and represents our current actual knowledge based on the information they provided. This information is subject to change. The part numbers that TE has identified as EU RoHS compliant have a maximum concentration of 0.1% by weight in homogenous materials for lead, hexavalent chromium, mercury, PBB, PBDE, DBP, BBP, DEHP, DIBP, and 0.01% for cadmium, or qualify for an exemption to these limits as defined in the Annexes of Directive 2011/65/EU (RoHS2). Finished electrical and electronic equipment products will be CE marked as required by Directive 2011/65/EU. Components may not be CE marked. Additionally, the part numbers that TE has identified as EU ELV compliant have a maximum concentration of 0.1% by weight in homogenous materials for lead, hexavalent chromium, and mercury, and 0.01% for cadmium, or qualify for an exemption to these limits as defined in the Annexes of Directive 2000/53/EC (ELV). Regarding the REACH Regulation, the information TE provides on SVHC in articles for this part number is based on the latest European Chemicals Agency (ECHA) 'Guidance on requirements for substances in articles' posted at this URL: <https://echa.europa.eu/guidance-documents/guidance-on-reach>

Compatible Parts



TE Part # CAT-C339-R529A
Thick Film Resistor: Current Sense



TE Part # 2176050-8
RLP73N 1E R10 5% 5K RL



TE Part # 5-2176055-0
RLP73K 2B R62 1% 5K RL

Also in the Series | CGS RLP73



Surface Mount Resistors(401)

Customers Also Bought



TE Part #1-2176055-4
RLP73M 2B R036 1% 1K RL



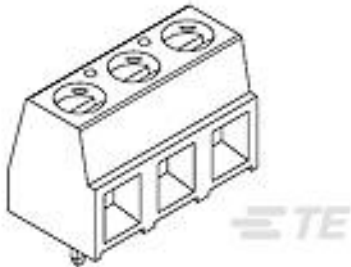
TE Part #2-2176058-3
RLP73N 3A R082 5% 2K RL



TE Part #1676814-7
HSA5 240R 1%



TE Part #1-207532-0
SKT HDR ASSY,24P,MMATE LF



TE Part #1776119-4
4P TERMI-BLOK,PCB,HIGH TEMP



TE Part #7-1879338-3
CPF 0603 150K 1% 50PPM 1K RL



TE Part #4-1879337-1
CPF 0603 6K49 1% 50PPM 1K RL



TE Part #1625826-5
TL2B R033 1%



TE Part #4-2176455-1
CPF 0402 287K 0.1% 25ppm 1K RL



TE Part #HUM-900-PRC-CAS
Module HUM-PRC 900MHz FHSS FM XCVR FCC



Documents

Product Drawings

[RLP73M 2B R024 1% 1K RL](#)

English

CAD Files

[3D PDF](#)

3D

Customer View Model

[ENG_CVM_CVM_1-2176055-0_BA.2d_dxf.zip](#)

English

Customer View Model

[ENG_CVM_CVM_1-2176055-0_BA.3d_igs.zip](#)

English

Customer View Model

[ENG_CVM_CVM_1-2176055-0_BA.3d_stp.zip](#)

English

By downloading the CAD file I accept and agree to the [Terms and Conditions](#) of use.

Datasheets & Catalog Pages

[SMD Low Ohmic Current Sense Resistors - Type RL73 Series](#)

English