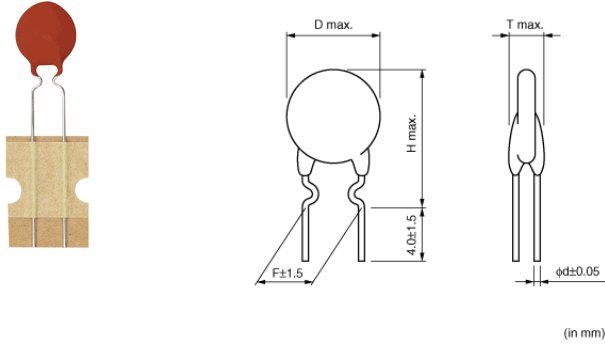


PTGL7SAS5R6K4N51A0



Appearance & Shape



Features

1. Useful protective threshold current range with a wide temperature range.
2. Small fluctuation in the circuit due to resistance tolerance +/-10%.
3. Quick operating time due to small size compared with conventional products.
4. Best suited to meet the requirements of power supply and motor protector. Error-free operation is assured by rush current.
5. Circuit is protected until current is turned off.
6. Restores the original low resistance value automatically once the overload is removed.
7. Non-contact design leads to long life and no noise.
Durable and strong against mechanical vibration and shock because it is a solid element.
8. Lead (Pb) is not contained in the terminations.

Applications

Automotive Usage	Infotainment
Limited Usage	Automotive Grade

Packaging Information

Packaging	Specifications	Minimum Order Quantity
A0	Ammo Pack	1500

Attention

1. This datasheet is downloaded from the website of Murata Manufacturing Co., Ltd. Therefore, its specifications are subject to change or our products in it may be discontinued without advance notice. Please check with our sales representatives or product engineers before ordering.
2. This datasheet has only typical specifications because there is no space for detailed specifications.
Therefore, please review our product specifications or consult the approval sheet for product specifications before ordering.

PTGL7SAS5R6K4N51A0



Specifications

Max. Voltage	60V	D: Outer Dimension	7.3mm
Hold Current	99mA	Thickness	3.5mm
Measure Condition of Hold Current	(at +105°C)	H: Height	12.3mm
Hold Current (2)	142mA	F: Lead Space	5mm
Measure Condition of Hold Current (2)	(at +85°C)	d: Lead Diameter	0.5mm
Hold Current (3)	236mA	Shape	Lead
Measure Condition of Hold Current (3)	(at +25°C)	Mass	0.44g
Trip Current	314mA		
Measure Condition of Trip Current	(at +25°C)		
Trip Current(2)	400mA		
Measure Condition of Trip Current(2)	(at -40°C)		
Max. Current	2.2A		
Resistance (25°C)	5.6Ω		
Resistance Value Tolerance (at 25°C)	±10%		
Curie Point(typ.)	130°C		
Power Consumption(typ)	0.9W		
Operating Temperature Range	-40°C to 125°C		

Attention

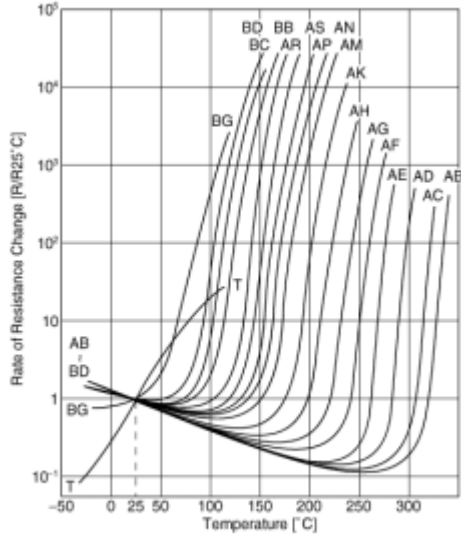
1.This datasheet is downloaded from the website of Murata Manufacturing Co., Ltd. Therefore, it's specifications are subject to change or our products in it may be discontinued without advance notice. Please check with our sales representatives or product engineers before ordering.

2.This datasheet has only typical specifications because there is no space for detailed specifications.

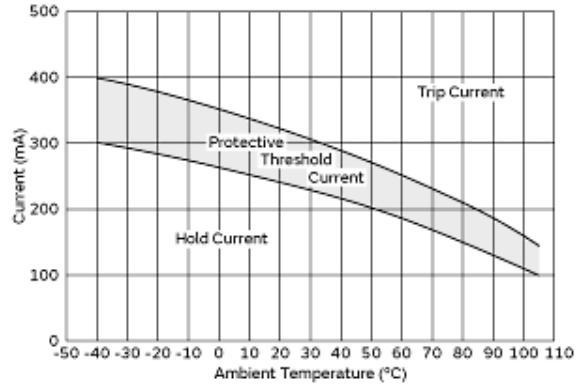
Therefore, please review our product specifications or consult the approval sheet for product specifications before ordering.

PTGL7SAS5R6K4N51A0

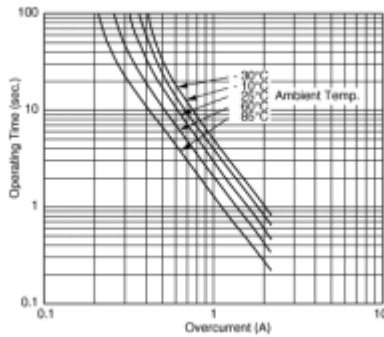
Product Data



Resistance-Temperature Charac.



Protective Threshold Current Range



Operating Time (Typical Curve)

Attention

1.This datasheet is downloaded from the website of Murata Manufacturing Co., Ltd. Therefore, it's specifications are subject to change or our products in it may be discontinued without advance notice. Please check with our sales representatives or product engineers before ordering.
2.This datasheet has only typical specifications because there is no space for detailed specifications.
Therefore, please review our product specifications or consult the approval sheet for product specifications before ordering.