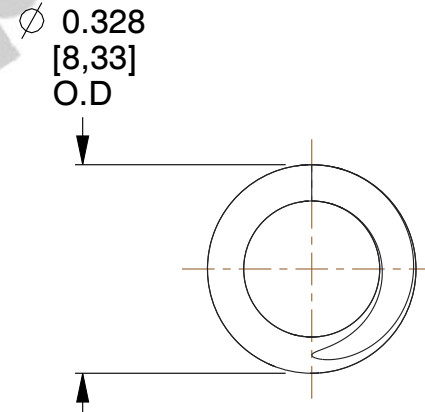
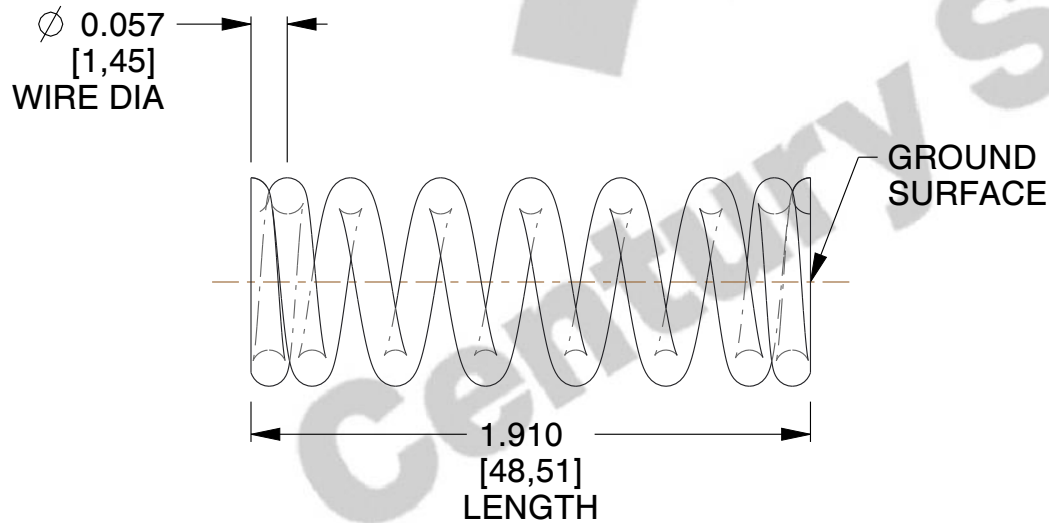
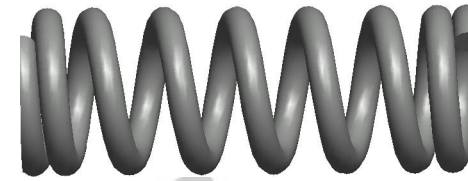


NOTES:

1. Material : Spring Steel
2. Finish : Zinc - Z
3. Ends : Closed and Ground
4. Total Coils : 8.000
5. Sugg. Max. Deflection : 0.150 (in)
6. Sugg. Max. Load : 19.000 (lbs)
7. All Drawing Dimensions are in Inches [mm]



COMPONENT		SPRINGS	
G-34		UNIT	
		INCH [mm]	
		SHEET	
COMPRESSION SPRINGS		1 of 1	