



**ISL Products International**

**ø59mm Worm Gear Motor  
Left Side Gearbox  
MOT-I-81556-106**

Online ID#:

**WGM-59-24-50-L**

Our Worm Gear Motors are an excellent automation solution providing right angle output with self-braking technology. They are equipped to handle varying loads and are best for intermittent duty operation. With endless performance combinations, we have the gear motor for your next application.

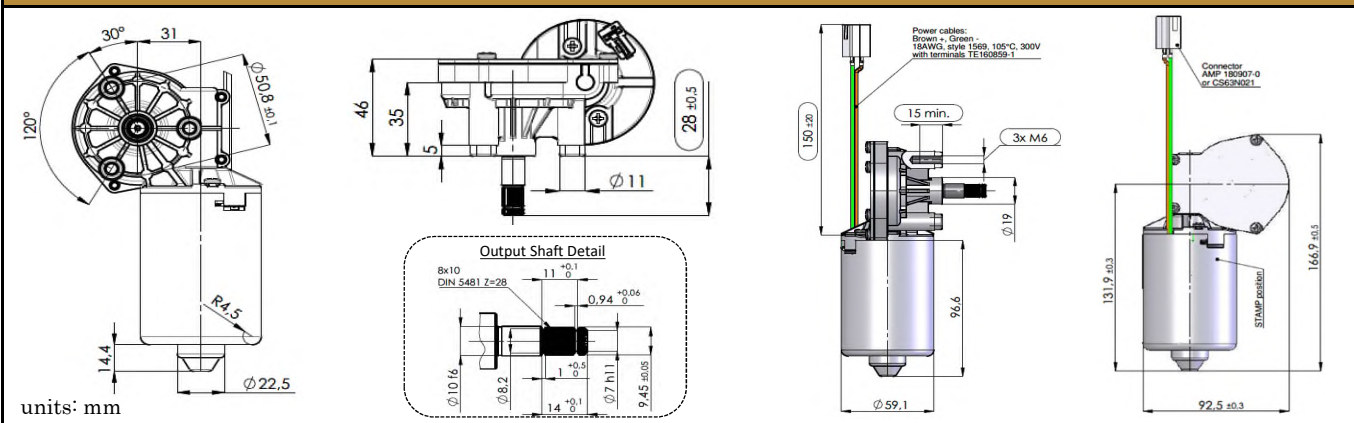


**Contact Us for alternative solutions!**

Specifications			
<b>Gearhead Type:</b>	Worm - Left side	<b>No-Load Speed:</b>	51 rpm (+/- 10%)
<b>Motor Type:</b>	Carbon - Brushed	<b>No-Load Current:</b>	< 600 mA
<b>Rated Voltage:</b>	24V DC	<b>Stall Torque:</b>	* 509 kg.cm
<b>Rated Speed:</b>	44 rpm	<b>Max. Power:</b>	66 W
<b>Rated Torque:</b>	73 kg.cm	<b>Termination Style:</b>	Connector: AMP 180907-0

\* Gearbox limitations are set at 200 kg.cm, operating past this torque limit may create premature failure.

**Dimensions**



**Performance Curve**

