

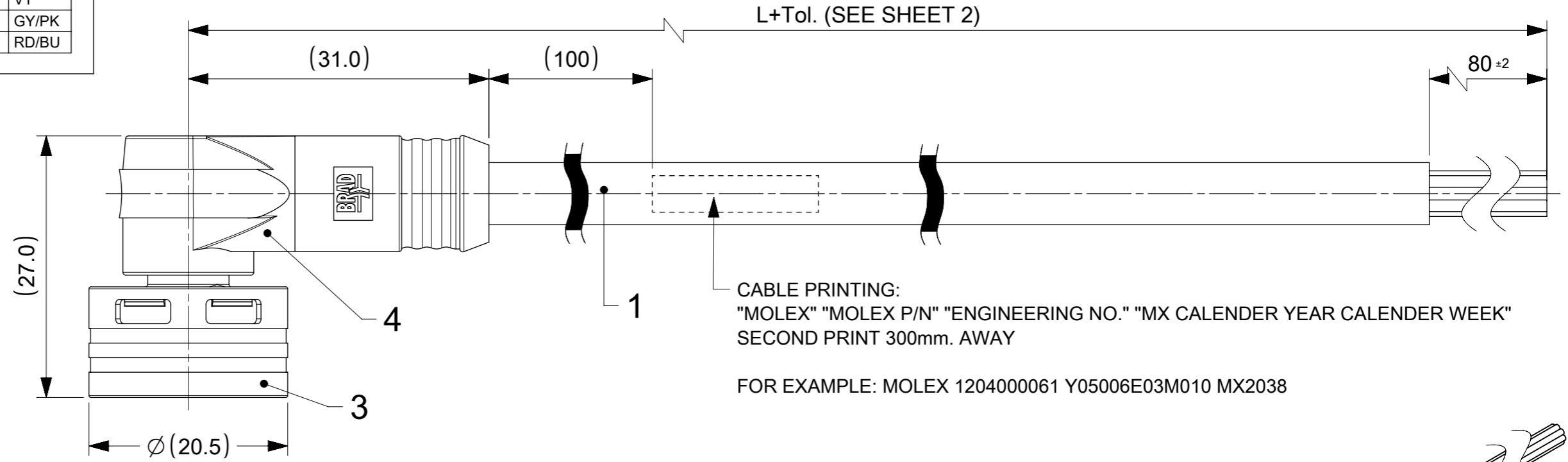
PIN	WIRE COLOR	PIN	WIRE COLOR
1	WH	5	GY
2	BN	6	PK
3	GN	7	BU
4	YE	8	RD

PIN	WIRE COLOR	PIN	WIRE COLOR
1	WH	7	BU
2	BN	8	RD
3	GN	9	BK
4	YE	10	VT
5	GY	11	GY/PK
6	PK	12	RD/BU

### PART No MATRIX

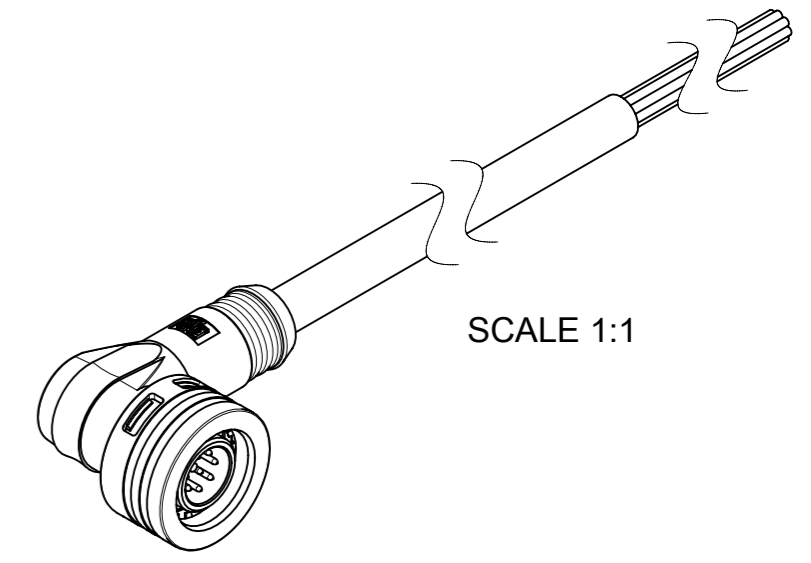
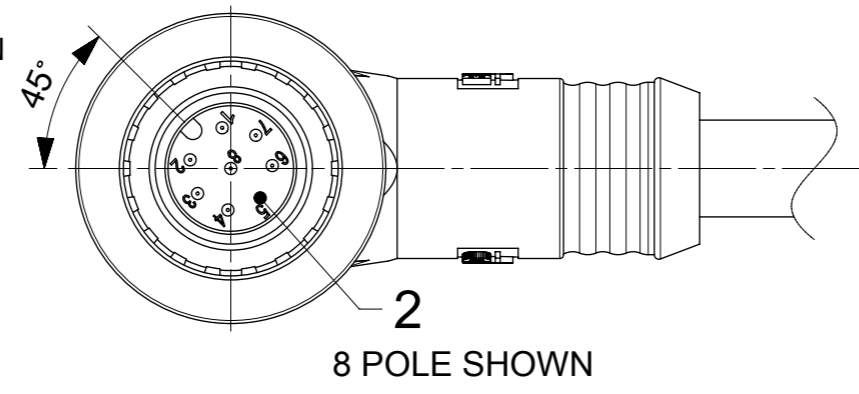
Y	0	X	0	0	7	X	X	X	X	X	X	X	X	X
---	---	---	---	---	---	---	---	---	---	---	---	---	---	---

Y0= ULTRA LOCK 2.0 SINGLE ENDED  
 POLES:  
 8 = 8 POLES  
 C = 12 POLES  
 HEADER:  
 007= MALE RA  
 CABLE:  
 E02 - 8x0.25 PVC BLACK  
 B41 - 8x0.25 WSOR BLACK  
 H08 - 8x0.25 PUR-LS0H BLACK  
 H45 - 12x0.14 PUR BLACK  
 UNIT:  
 M = METER  
 F = FEET  
 C = CENTIMETER  
 T = 10M  
 LENGTH:  
 EXAMPLE:  
 010 = 1 m  
 050 = 5 m  
 100 = 10 m  
 OPTIONS:  
 OVERMOLD:  
 BLANK = STANDARD BRAD:  
 -YELLOW IN THE USA  
 -BLACK IN EUROPE  
 A = GREY  
 E = RED  
 G = BLACK  
 Y = YELLOW  
 H = STD. COLOUR WITH TWO ID-TAG CARRIERS



### NOTES:

- PARTS ACC. TO PRODUCT SPECIFICATION 1204000001 PS P10 AND IN STYLE OF IEC-61076-2-010
- BOM & PART LIST - SEE SHEET 2
- RATED VOLTAGE:  
 8, 12 CONTACTS: 30V AC OR DC  
 RATED CURRENT:  
 8 CONTACTS: 2A  
 12 CONTACTS: 1.5A,  
 DERATING HAS TO BE CONSIDERED  
 OVERVOLTAGE CATEGORY: 3  
 POLLUTION DEGREE: 3, ONLY IN MATED AND LOCKED CONDITION
- PROTECTION CLASS: IP 67, ONLY IN MATED AND LOCKED CONDITION
- TEMPERATURE RANGE:  
 TEMPERATURE PLUG/SOCKET: -40 °C TO +85 °C  
 TEMPERATURE CABLE: SEE CABLE LIST
- MECHANICAL OPERATIONS: 100 CYCLES
- MATES WITH ULTRA-LOCK M12 FEMALE RECEPTACLES
- PACKAGING: THE CORDSETS ARE SINGLE PACKED IN PLASTIC BAGS AND DELIVERED IN CARTON BOXES
- UL CSA FILE REGISTRATION PENDING



FUNCTIONAL SYMBOLS	THIS DRAWING CONTAINS INFORMATION THAT IS PROPRIETARY TO MOLEX ELECTRONIC TECHNOLOGIES, LLC AND SHOULD NOT BE USED WITHOUT WRITTEN PERMISSION	CURRENT REV DESC: NOTES AND CABLE LIST UPDATED																															
	<table border="1"> <tr> <th>FUNCTIONAL SYMBOLS</th> <th>DIMENSION UNITS</th> <th>SCALE</th> </tr> <tr> <td>∇/A = 0</td> <td>mm</td> <td>2:1</td> </tr> <tr> <td>∇/E = 0</td> <td colspan="2">GENERAL TOLERANCES (UNLESS SPECIFIED)</td> </tr> <tr> <td>∇/V = 0</td> <td colspan="2">ANGULAR TOL ± 1.0°</td> </tr> <tr> <td></td> <td>4 PLACES</td> <td>±</td> </tr> <tr> <td></td> <td>3 PLACES</td> <td>±</td> </tr> <tr> <td></td> <td>2 PLACES</td> <td>± 0.05</td> </tr> <tr> <td></td> <td>1 PLACE</td> <td>± 0.3</td> </tr> <tr> <td></td> <td>0 PLACES</td> <td>± 0.5</td> </tr> </table>	FUNCTIONAL SYMBOLS	DIMENSION UNITS					SCALE	∇/A = 0	mm	2:1	∇/E = 0	GENERAL TOLERANCES (UNLESS SPECIFIED)		∇/V = 0	ANGULAR TOL ± 1.0°			4 PLACES	±		3 PLACES	±		2 PLACES	± 0.05		1 PLACE	± 0.3		0 PLACES	± 0.5	EC NO: 736602 DRWN: RSCHIEBER 2023/01/24 CHK'D: RSILLER 2023/01/31 APPR: RSILLER 2023/01/31
FUNCTIONAL SYMBOLS	DIMENSION UNITS	SCALE																															
∇/A = 0	mm	2:1																															
∇/E = 0	GENERAL TOLERANCES (UNLESS SPECIFIED)																																
∇/V = 0	ANGULAR TOL ± 1.0°																																
	4 PLACES	±																															
	3 PLACES	±																															
	2 PLACES	± 0.05																															
	1 PLACE	± 0.3																															
	0 PLACES	± 0.5																															
DIVISIONAL SYMBOLS		INITIAL REVISION: DRWN: JELIZAINCIN 2021/01/18 APPR: RSILLER 2022/10/14		PRODUCT CUSTOMER DRAWING																													
DRAFT WHERE APPLICABLE MUST REMAIN WITHIN DIMENSIONS		THIRD ANGLE PROJECTION	DRAWING	SERIES	MATERIAL NUMBER	CUSTOMER	SHEET NUMBER																										
			A3-SIZE	120400	SEE SHEET 2	GENERAL MARKET	1 OF 2																										

