

## Column level indicators with or without transparent protection



### • Assembly ends

Glass-fibre reinforced polyamide based (PA) technopolymer, black colour.

### • Support

Aluminium in natural colour.

### • Level column window

Polycarbonate transparent tube.

Maximum fluid level visibility even from side positions

### • Screws, nuts and washers

Glossy zinc-plated steel.

### • Flat gaskets

NBR rubber O-Ring.

### • Graduated contrast screen

Self-adhesive plastic material, resistant to oils, greases.

Fitted to the aluminium support.

### • Standard executions

- **HCK:** with transparent front protection (against accidental shocks), in polycarbonate (PC), extractable for cleaning operations.

- **HCK-NP:** without transparent front protection.

### • Maximum continuous working temperature

100°C (with oil).

### Technical data

In laboratory tests carried out with mineral oil type CB68 (according to ISO 3498) at 23°C for a limited period of time, the values of pressure resistance were very higher than 35 bar.

If you need to use the indicator with other oils or fluids and under different pressure and temperature conditions, please contact ELESA Technical Department. In any case we suggest to verify the suitability of the product under the actual working conditions.

### Special executions on request

- Column level window in transparent methylmethacrylate (PMMA) for max 70°C use.

- Polyamide based technopolymer float (from HCK.127) red colour.

- Polyamide based technopolymer float (from HCK.127) red colour.

- Expanded NBR float (from HCK.176) black colour with AISI 316 stainless steel spiral for special executions, viscous liquids, high temperatures.

- Column level window with visibility (h) superior to 452 mm and holes centre distance (f) for fixing up to 1.500 mm.

- Electric sensor bracket pre-set at the following temperatures: 50°C, 60°C, 70°C, 80°C.

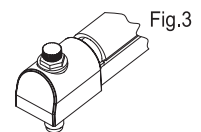
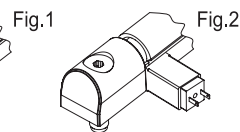
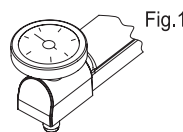
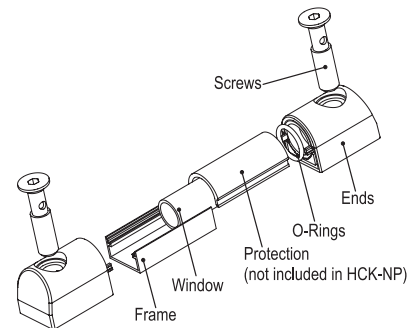
- Packing rings in special material depending on the customer's needs.

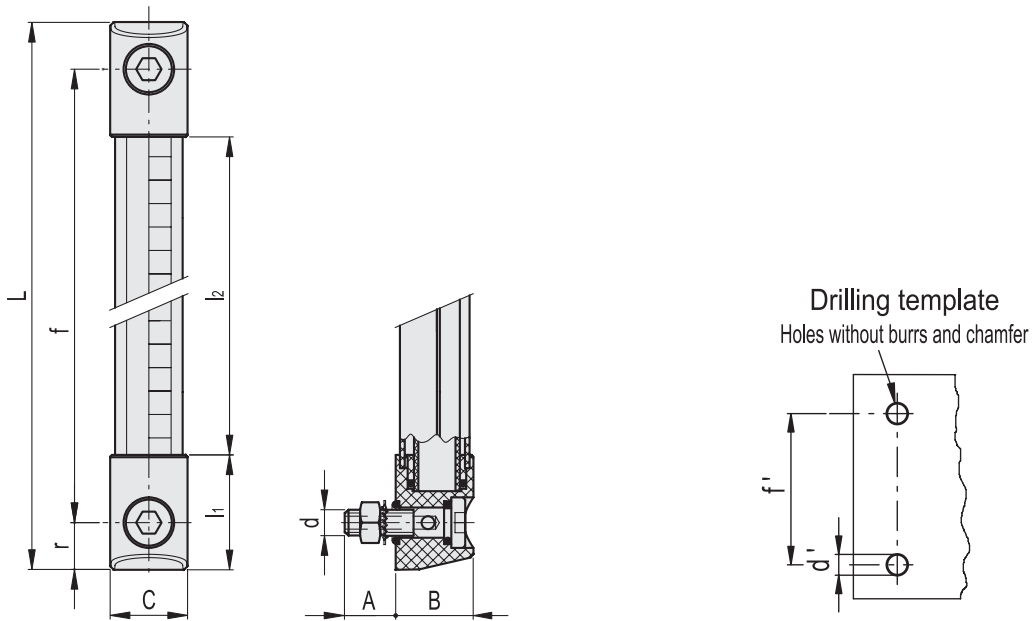
- Built-in thermometer with red indication line.

- External scale thermometer (Fig. 1) with internal probe for fluid temperature.

- SLCK electric level sensor (Fig.2, from HCK.127) which can be fitted along the axis of the indicator according to the actual needs. With right (DX) or left (SX) connectors, normally closed (NC), normally open (NO).

- Special screw with nickel-plated brass tap (Fig. 3) to be fitted to the lower assembly end for any maintenance operation requiring the indicator exclusion.





**HCK.**

Code	Description	f	d	A	B	C	L	l <sub>1</sub>	l <sub>2</sub>	r	d' <sub>0.2</sub>	f'	C# [Nm]	⚖️
111001	HCK.76-M10	76	M10	20	33	33	113	35.5	42	18.5	10.5	76 ±0.2	12	183
111011	HCK.127-M12	127	M12	20	33	33	164	46.5	71	18.5	12.5	127±0.5	12	220
111021	HCK.176-M12	176	M12	20	33	33	213	46.5	120	18.5	12.5	176±0.5	12	250
111031	HCK.254-M12	254	M12	20	33	33	291	46.5	198	18.5	12.5	254±0.5	12	298
111041	HCK.381-M12	381	M12	20	33	33	418	46.5	325	18.5	12.5	381±0.5	12	377
111051	HCK.508-M12	508	M12	20	33	33	545	46.5	452	18.5	12.5	508±0.5	12	455

**HCK-NP**

Code	Description	f	d	A	B	C	L	l <sub>1</sub>	l <sub>2</sub>	r	d' <sub>0.2</sub>	f'	C# [Nm]	⚖️
111001-NP	HCK.76-M10-NP	76	M10	20	33	33	113	35.5	42	18.5	10.5	76 ±0.2	12	183
111011-NP	HCK.127-M12-NP	127	M12	20	33	33	164	46.5	71	18.5	12.5	127±0.5	12	220
111021-NP	HCK.176-M12-NP	176	M12	20	33	33	213	46.5	120	18.5	12.5	176±0.5	12	250
111031-NP	HCK.254-M12-NP	254	M12	20	33	33	291	46.5	198	18.5	12.5	254±0.5	12	298
111041-NP	HCK.381-M12-NP	381	M12	20	33	33	418	46.5	325	18.5	12.5	381±0.5	12	377
111051-NP	HCK.508-M12-NP	508	M12	20	33	33	545	46.5	452	18.5	12.5	508±0.5	12	455

# Maximum tightening torque.