

# EV-T1M3C-1AC32A-4,0M6,0EHBK00 - AC charging cable



1621794

<https://www.phoenixcontact.com/us/products/1621794>

Please be informed that the data shown in this PDF document is generated from our online catalog. Please find the complete data in the user documentation. Our general terms of use for downloads are valid.

CHARX connect, AC charging cable with Vehicle Connector, open cable end, with protective cap, Type 1, IEC 62196-2, SAE J1772, cable: 4 m



## Product description

AC charging cable with vehicle charging connector and free cable end for charging electric vehicles (EV) with alternating current (AC) via type 1 vehicle charging inlets, for installation at charging stations for e-mobility (EVSE)

## Your advantages

- Consistent design of all Phoenix Contact Vehicle Connectors and Infrastructure Plugs
- Silver-plated surface of the power and signal contacts
- Developed and produced in accordance with the IATF 16949 automotive standard and ISO 9001
- Convenient handling, thanks to the ergonomic handle and additional, rubber grip components

## Commercial data

Item number	1621794
Packing unit	1 pc
Minimum order quantity	1 pc
Product key	XWBAAA
Catalog page	Page 742 (C-2-2017)
GTIN	4046356967105
Weight per piece (including packing)	3.054 kg
Weight per piece (excluding packing)	2.96 kg
Country of origin	DE

# EV-T1M3C-1AC32A-4,0M6,0EHBK00 - AC charging cable



1621794

<https://www.phoenixcontact.com/us/products/1621794>

## Technical data

### Product properties

Product type	AC charging cable
Product family	CHARX connect
Application	AC charging cable with Vehicle Connector, open cable end, with protective cap
Charging mode	Mode 3, Case C
Charging standard	Type 1

### Electrical properties

Type of charging current	AC single-phase
Charging power	8 kW
Charging current	32 A

### Cable/line

Cable length	4 m
Stripping length of the sheath	45 mm ±10 mm
Stripping length	45 mm ±10 mm

### Standards and regulations

#### Standards

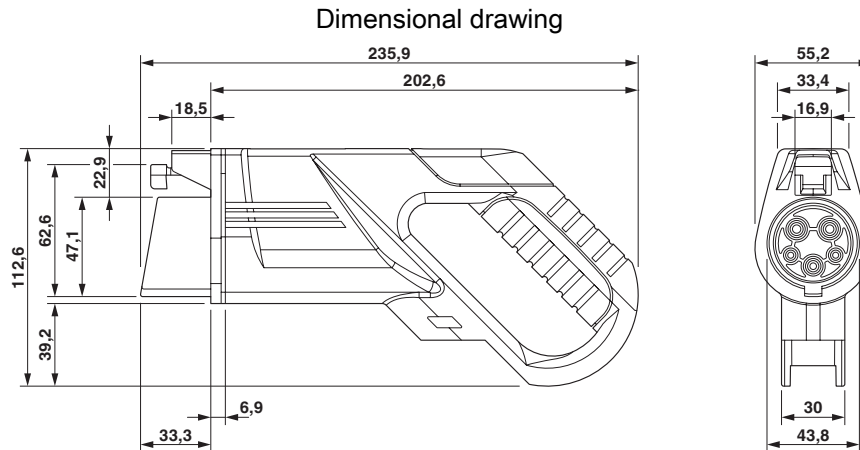
Standards/regulations	IEC 62196-2
	SAE J1772

# EV-T1M3C-1AC32A-4,0M6,0EHBK00 - AC charging cable

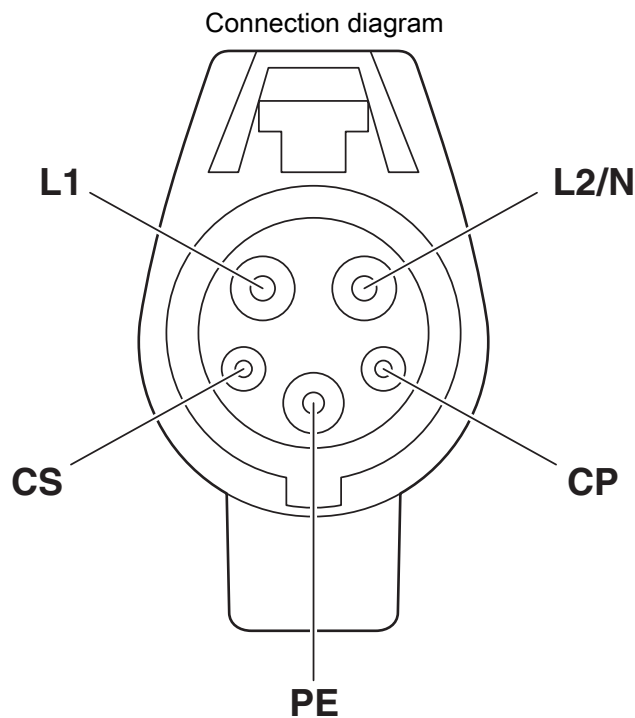
1621794

<https://www.phoenixcontact.com/us/products/1621794>

## Drawings



Make sure that the vehicle charging connector is placed in an appropriate charging connector holder, which ensures a minimum protection rating of IP24 in accordance with IEC 61851-1, for the entire time between charging. To create this charging connector holder, use the dimensions of the vehicle charging connector. Detailed dimensions can also be found in the Download area.



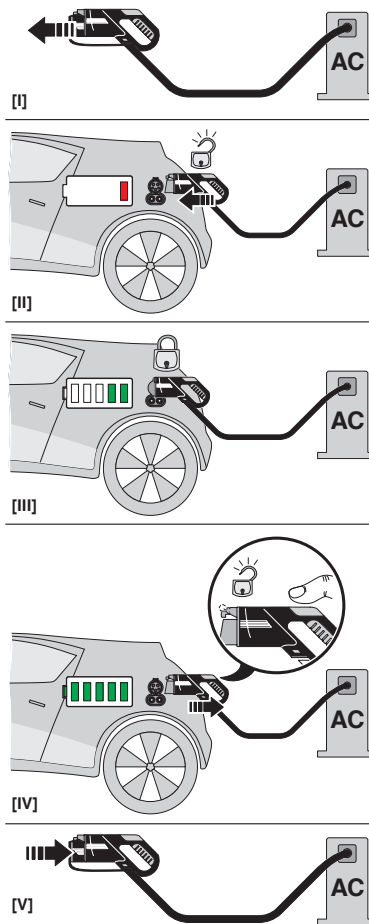
Pin assignment of the Vehicle Connector

# EV-T1M3C-1AC32A-4,0M6,0EHBK00 - AC charging cable

1621794

<https://www.phoenixcontact.com/us/products/1621794>

## Schematic diagram



Operating instructions

# EV-T1M3C-1AC32A-4,0M6,0EHBK00 - AC charging cable



1621794

<https://www.phoenixcontact.com/us/products/1621794>

## Environmental product compliance

### China RoHS

Environment friendly use period (EFUP)	EFUP-10
	An article-related China RoHS declaration table can be found in the download area for the respective article under "Manufacturer declaration". For all articles with EFUP-E, no China RoHS declaration table issued and required.

### EU REACH SVHC

REACH candidate substance (CAS No.)	No substance above 0.1 wt%
-------------------------------------	----------------------------

# EV-T1M3C-1AC32A-4,0M6,0EHBK00 - AC charging cable



1621794

<https://www.phoenixcontact.com/us/products/1621794>

## Accessories

### EV-T1AC-PARK - Charging connector holder

1624139

<https://www.phoenixcontact.com/us/products/1624139>



CHARX connect, Charging connector holder, Accessories, for vehicle charging connectors on charging stations (EVSE), Type 1, SAE J1772, Front mounting, housing: black

---

Phoenix Contact 2024 © - all rights reserved  
<https://www.phoenixcontact.com>

Phoenix Contact USA  
586 Fulling Mill Road  
Middletown, PA 17057, United States  
(+717) 944-1300  
[info@phoenixcon.com](mailto:info@phoenixcon.com)