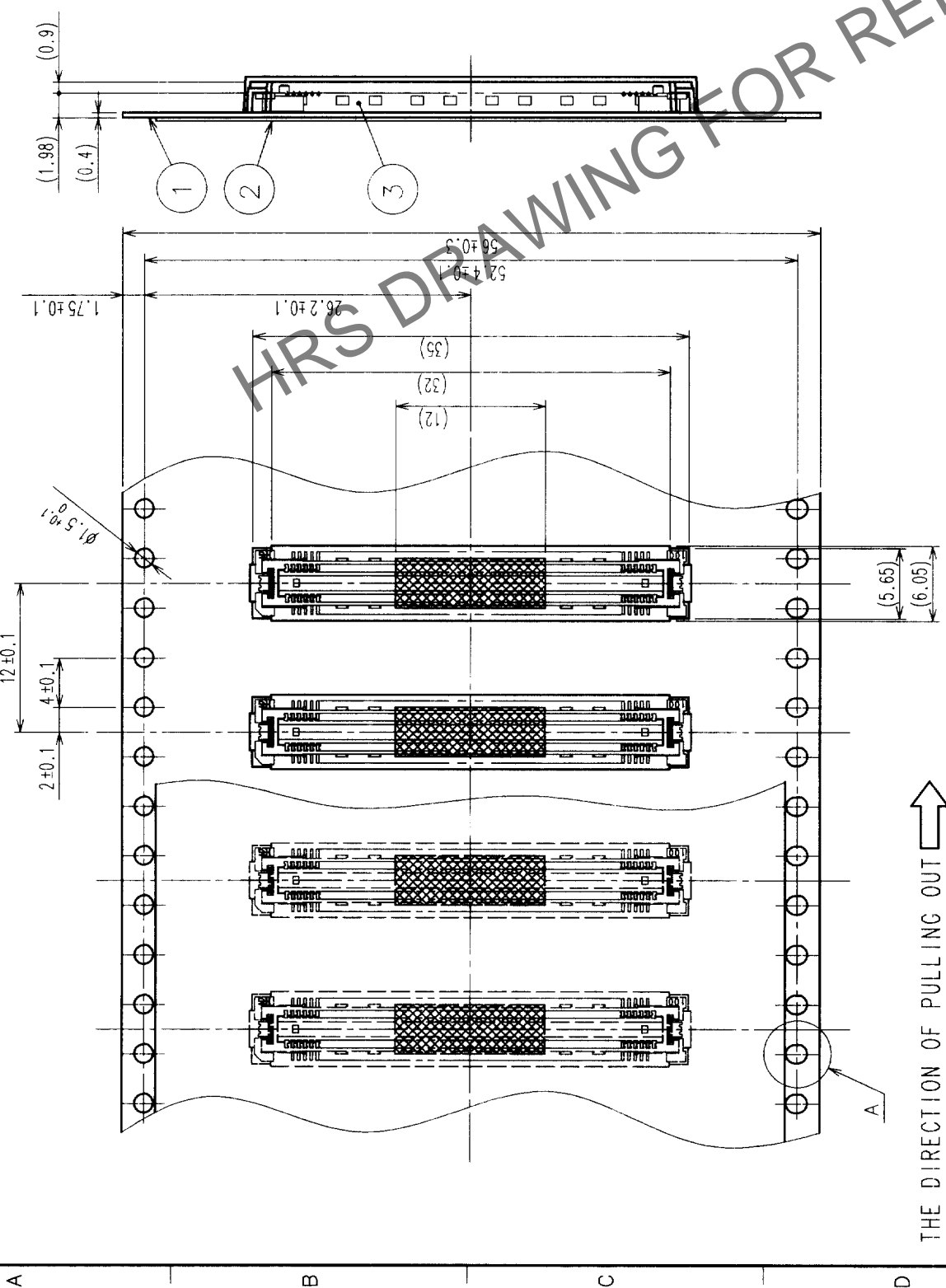
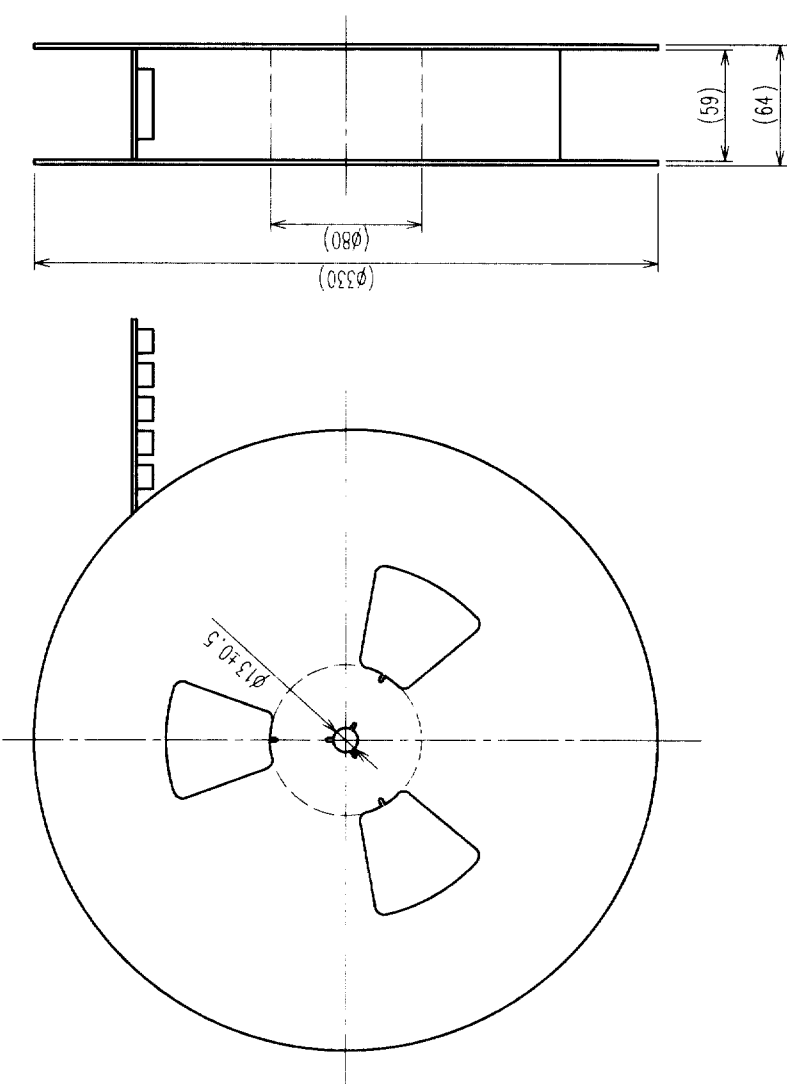




COUNT	DESCRIPTION OF REVISIONS	BY	CHKD	DATE	COUNT	DESCRIPTION OF REVISIONS	BY	CHKD	DATE
△									
△									
△									

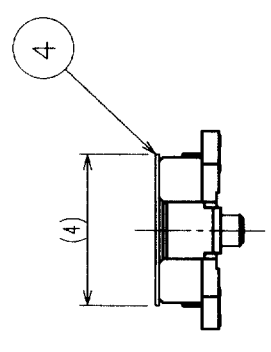


REELED DIMENSION (Free)

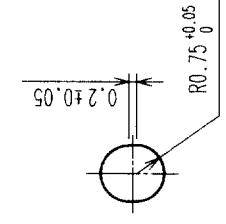


NOTES 1 REEL:1000 CONNECTORS.  
 2 MINIMUM 10 COMPARTMENTS FROM BOTH REEL ENDS REMAIN EMPTY.  
 3 THIS PRODUCT HAS NO POLARITY TO TAPE AND REEL PACKAGING.

DETAIL FOR VACUUM PICKUP (5:1)



A (5:1)



2	PET	TOP COVER TAPE	4	POLYIMIDE	(TAPE FOR VACUUM PICKUP)
1	PS	EMBOSSED CARRIER TAPE	3	(CONNECTOR)	
NO.	MATERIAL	FINISH, REMARKS	NO.	MATERIAL	FINISH, REMARKS
CODE NO. (OLD) CL					
DRAWING FOR PACKING		DRAWN <i>M. Saito</i> 99.10.27		DESIGNED <i>M. Saito</i> 99.10.27	CHECKED <i>M. Saito</i> 99.10.28
DRAWING NO. EDC3-152102-02		PART NO. FX11LA-116P-SV(22)		APPROVED <i>M. Saito</i> 99.10.28	
SCALE 2 : 1		CODE NO. CL573-0044-7-22		RELEASED	
UNITS mm		HIROSE ELECTRIC CO., LTD			

TO	
PCK	