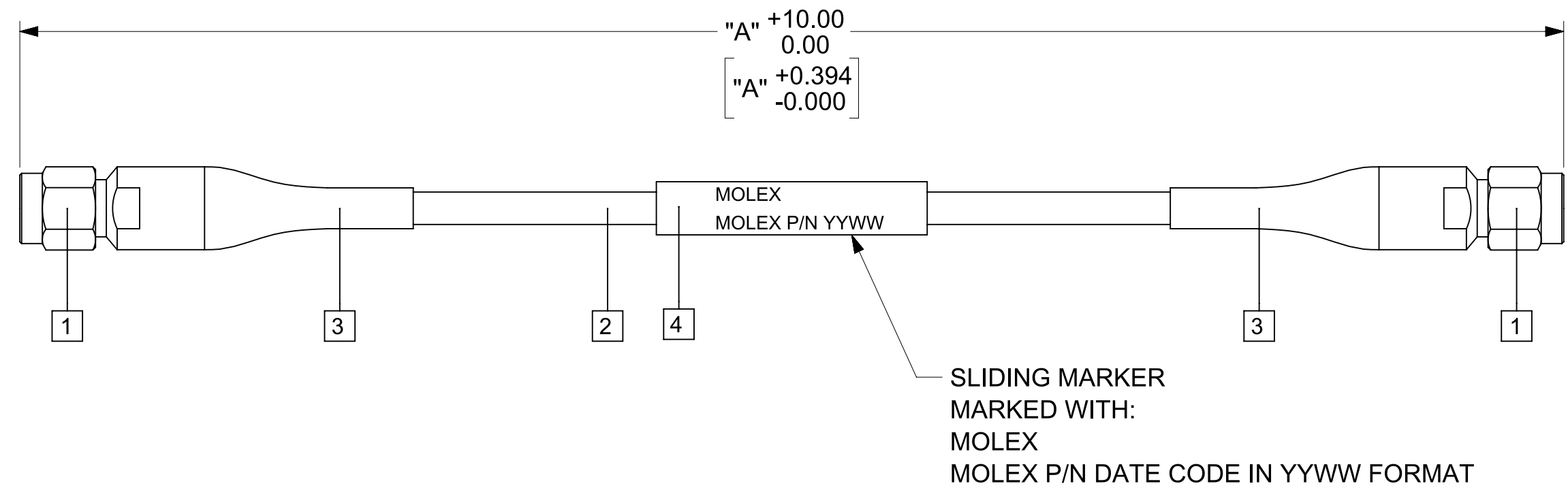


1. MATERIAL  
 1) CONNECTOR : SMA MALE(STAINLESS STEEL)  
 2) CABLE : MX204  
 3) ADHESIVE SHRINK TUBE(BLACK)  
 4) MARKING TUBE(WHITE)
2. ELECTRICAL  
 1) IMPEDANCE : 50Ω  
 2) FREQUENCY RANGE : DC TO 26.5GHZ  
 3) VSWR : 1.3 : 1(DC TO 26.5GHZ)  
 INSERTION LOSS(TYPICAL): CABLE(A)+CONNECTOR(B)  
 (A) : 0.01XL(M)X(1.37X√F(MHZ) + 0.0004XF(MHZ))  
 (B) : 2X0.025X√F(GHZ)  
 \* L : LENGTH, M : METER(INCH=M/0.0254), F : FREQ.  
 ASSEMBLY TO BE 100% TESTED FOR RETURN LOSS AND INSERTION LOSS.
- 4) WITHSTANDING VOLTAGE : 500VRMS MAX.  
 ASSEMBLY TO BE 100% TESTED FOR OPENS, SHORTS & HIPOT TESTED(AC OR DC).  
 THE HIPOT VOLTAGE FOR THE ASSEMBLY SHOULD BE SET TO THE END OPTION WITH THE LOWEST TEST VOLTAGE RATING.

3. MECHANICAL  
 1) DURABILITY : 500 CYCLES  
 2) BENDING RADIUS (MIN.) : 18MM (INSTALLATION)

4. ENVIRONMENTAL  
 1) TEMP. RANGE : -55°C TO +85°C  
 2) ROHS COMPLIANT

5. CABLE ASSEMBLY SHALL HAVE PROTECTIVE CAP ASSEMBLED ON EACH END AND TO BE INDIVIDUALLY PACKAGED IN BAG WITH TEST REPORT.



914.40 [36.000]	0732390112
609.60 [24.000]	0732390111
304.80 [12.000]	0732390110
"A"	MOLEX P/N

FUNCTIONAL SYMBOLS $\frac{E}{A} = 0$ $\frac{E}{C} = 0$ $\frac{E}{P} = 0$ DIVISIONAL SYMBOLS 4 PLACES ± 3 PLACES ± 2 PLACES ± 1 PLACE ± 0 PLACES ±	THIS DRAWING CONTAINS INFORMATION THAT IS PROPRIETARY TO MOLEX ELECTRONIC TECHNOLOGIES, LLC AND SHOULD NOT BE USED WITHOUT WRITTEN PERMISSION		CURRENT REV DESC: UPDATED THE TITLE BLOCK DESCRIPTION FROM MX_VNA TO CARDINAL FLEX				
	DIMENSION UNITS	SCALE	 CARDINAL FLEX SMA PLUG TO SMA PLUG CABLE ASSEMBLY PRODUCT SALES DRAWING				
	MM/INCH	NTS					
	GENERAL TOLERANCES (UNLESS SPECIFIED)						
ANGULAR TOL ± 0.5°		STATUS: Production					
DRAFT WHERE APPLICABLE MUST REMAIN WITHIN DIMENSIONS		THIRD ANGLE PROJECTION	DRAWING	SERIES	MATERIAL NUMBER	CUSTOMER	SHEET NUMBER
			C-SIZE	73239	SEE TABLE		1 OF 1

DOCUMENT NUMBER	DOC TYPE	DOC PART	REVISION
732390110	PSD	000	A1