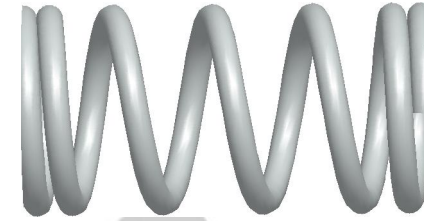
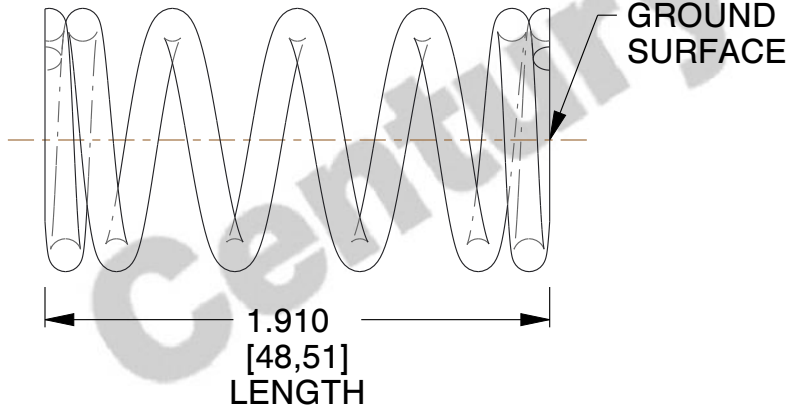


NOTES:

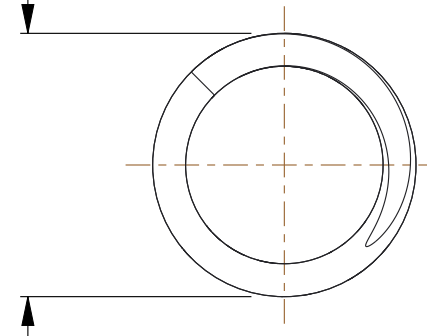
1. Material : Stainless Steel
2. Finish : Glod Irridite
3. Ends : Closed and Ground
4. Total Coils : 6.250
5. Sugg. Max. Deflection : 0.240 (in)
6. Sugg. Max. Load : 9.000 (lbs)
7. All Drawing Dimensions are in Inches [mm]



ϕ 0.045
 [1,14]
 WIRE DIA



ϕ 0.360
 [9,14]
 O.D



COMPONENT		SPRINGS	
71159S COMPRESSION SPRINGS		UNIT	INCH [mm]
		SHEET	1 of 1