

# Customer Information Sheet

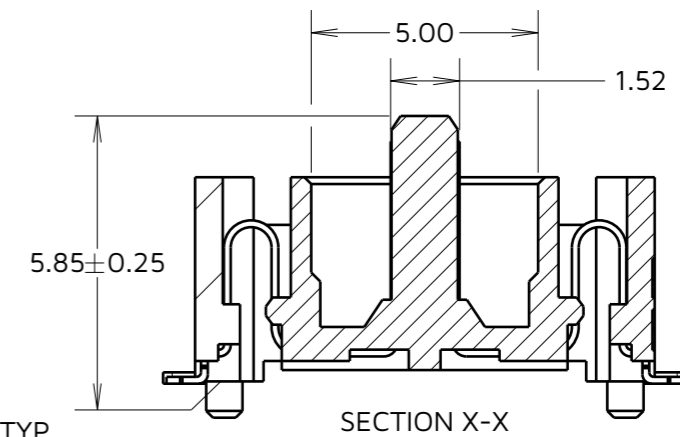
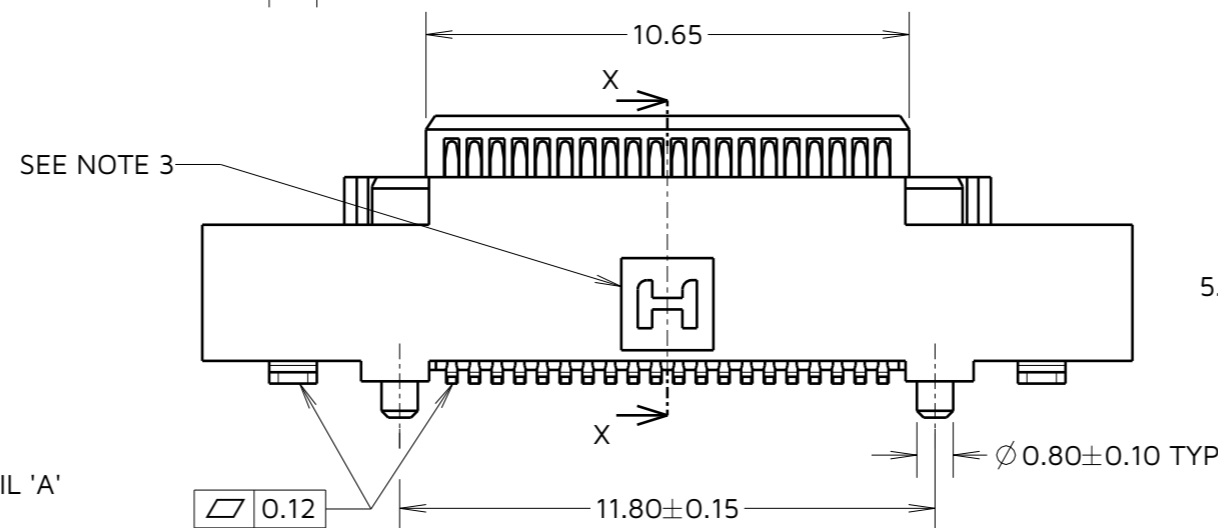
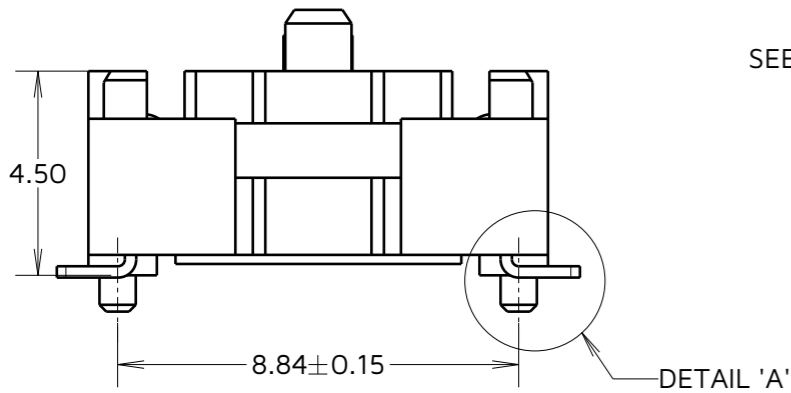
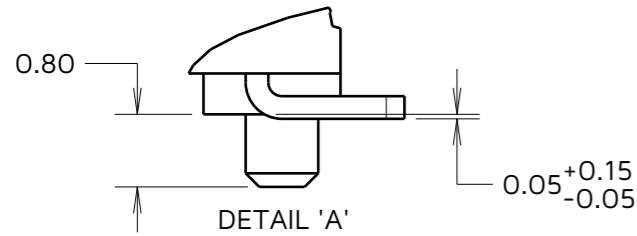
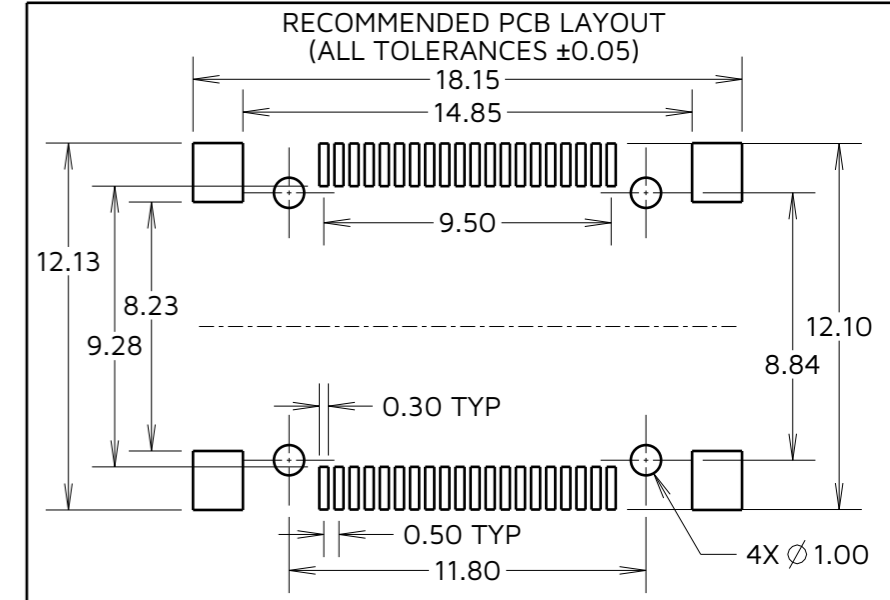
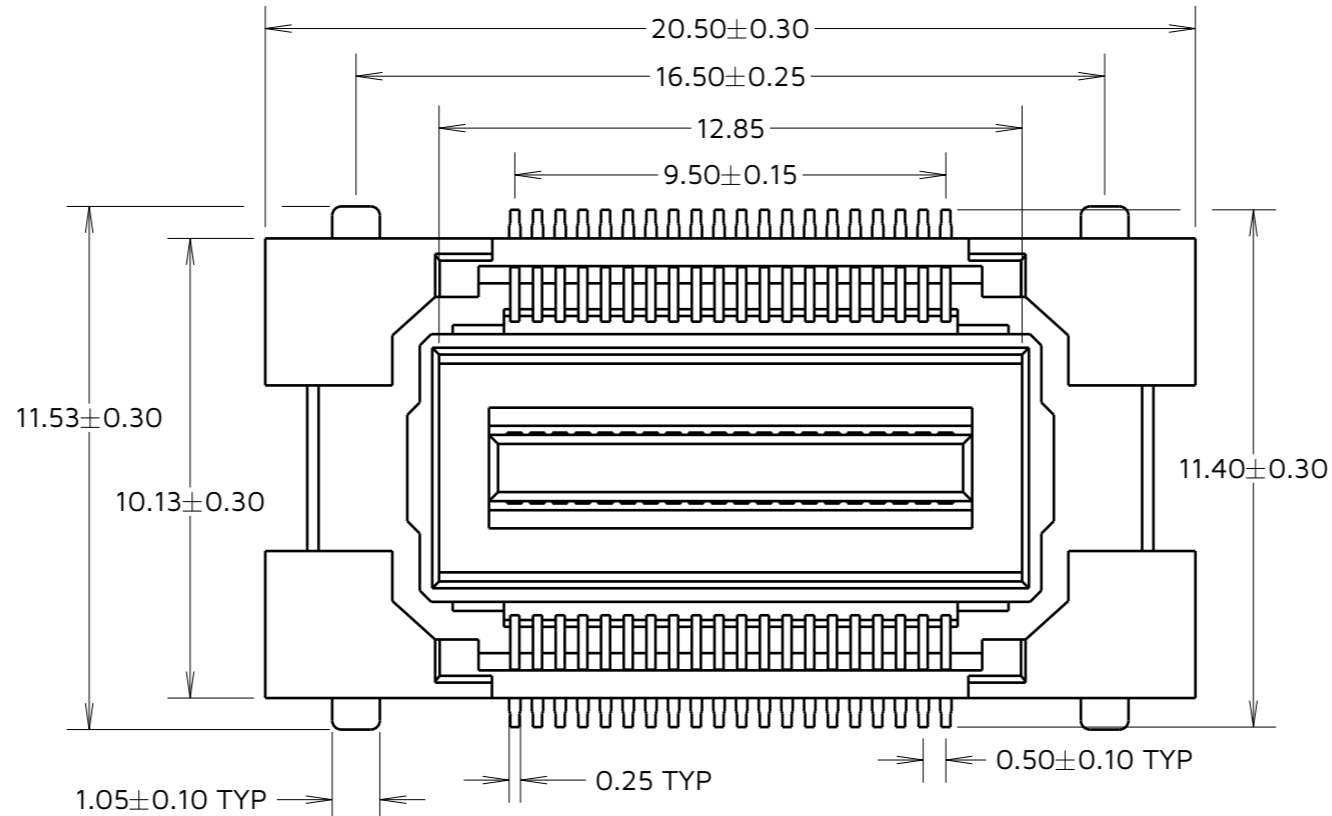
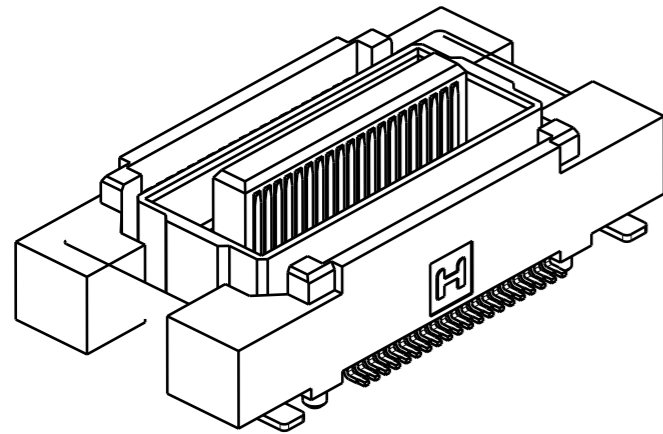
IF IN DOUBT - ASK

©

NOT TO SCALE

THIRD ANGLE PROJECTION

ALL DIMENSIONS IN mm



NOTES:  
 1. SEE COMPONENT SPECIFICATION C057XX (LATEST ISSUE) FOR COMPLETE CONNECTOR SPECIFICATIONS.  
 2. SEE SHEET 4 FOR TAPE & REEL DETAILS.

**HARWIN**

www.harwin.com

TOLERANCES  
 X = ±1mm  
 X.X = ±0.50mm  
 X.XX = ±0.20mm  
 X.XXX = ±0.01mm  
 ANGLES = ±5°  
 UNLESS STATED

THIS DRAWING AND ANY INFORMATION OR DESCRIPTIVE MATTER SET OUT HEREON ARE CONFIDENTIAL AND COPYRIGHT PROPERTY OF THE HARWIN GROUP AND MUST NOT BE DISCLOSED, LOANED, COPIED OR USED FOR MANUFACTURING, TENDERING OR FOR ANY OTHER PURPOSE WITHOUT THEIR WRITTEN PERMISSION.

MATERIAL:  
 SEE NOTE 1

TITLE:  
 0.5mm PITCH MALE FLECTO CONNECTOR

DRAWING NUMBER:  
 F12-20004045R

JD	3	30.08.24	34146
AB	2	24.02.24	33735
AB	1	13.11.23	33217

TOLERANCES	
X.=±0.25	X.°=±3.0°
X.X=±0.20	X.X°=±2.0°
X.XX=±0.13	X.XX°=±1.0°
X.XXX=±0.08	X.XXX°=±0.5°

NAME	ISS.	DATE	CN/CO
APPROVED: J.DEAN			
CHECKED: A.BOXALL			
DRAWN: A.BOXALL			

# Customer Information Sheet

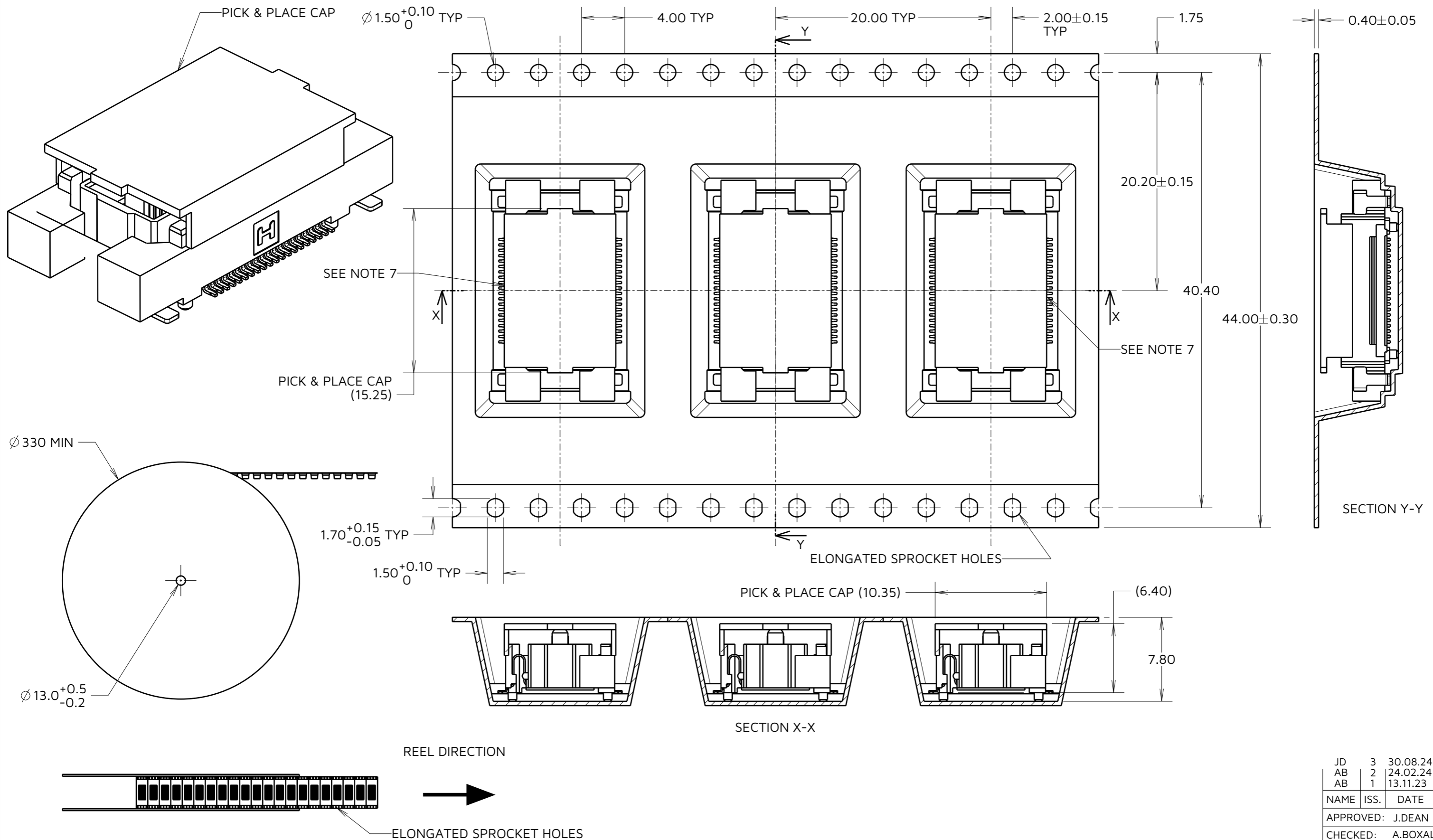
IF IN DOUBT - ASK

©

NOT TO SCALE

THIRD ANGLE PROJECTION

ALL DIMENSIONS IN mm



- NOTES:
- PRODUCT TAPE AND REELED IN ACCORDANCE WITH EIA-481 STANDARD.
  - CARRIER TAPE MATERIAL: BLACK POLYSTYRENE
  - NUMBER OF COMPONENTS PER REEL: 400PCS
  - TAPE POCKETS MAY DIFFER VISUALLY FROM DRAWING.
  - POSITION OF HARWIN LOGO IS NOT CRITICAL AND MAY BE IN EITHER MARKED POSITION.



TOLERANCES  
 X. = ±1mm  
 X.X = ±0.50mm  
 X.XX = ±0.20mm  
 X.XXX = ±0.01mm  
 ANGLES = ±5°  
 UNLESS STATED

THIS DRAWING AND ANY INFORMATION OR DESCRIPTIVE MATTER SET OUT HEREON ARE CONFIDENTIAL AND COPYRIGHT PROPERTY OF THE HARWIN GROUP AND MUST NOT BE DISCLOSED, LOANED, COPIED OR USED FOR MANUFACTURING, TENDERING OR FOR ANY OTHER PURPOSE WITHOUT THEIR WRITTEN PERMISSION.

MATERIAL:  
 SEE NOTE 5

TITLE:  
**0.5mm PITCH MALE FLECTO CONNECTOR**  
 DRAWING NUMBER:  
**F12-20004045R**  
 SHT 4 OF 4

JD	3	30.08.24	34146
AB	2	24.02.24	33735
AB	1	13.11.23	33217
NAME	ISS.	DATE	CN/CO
APPROVED: J.DEAN			
CHECKED: A.BOXALL			
DRAWN: A.BOXALL			