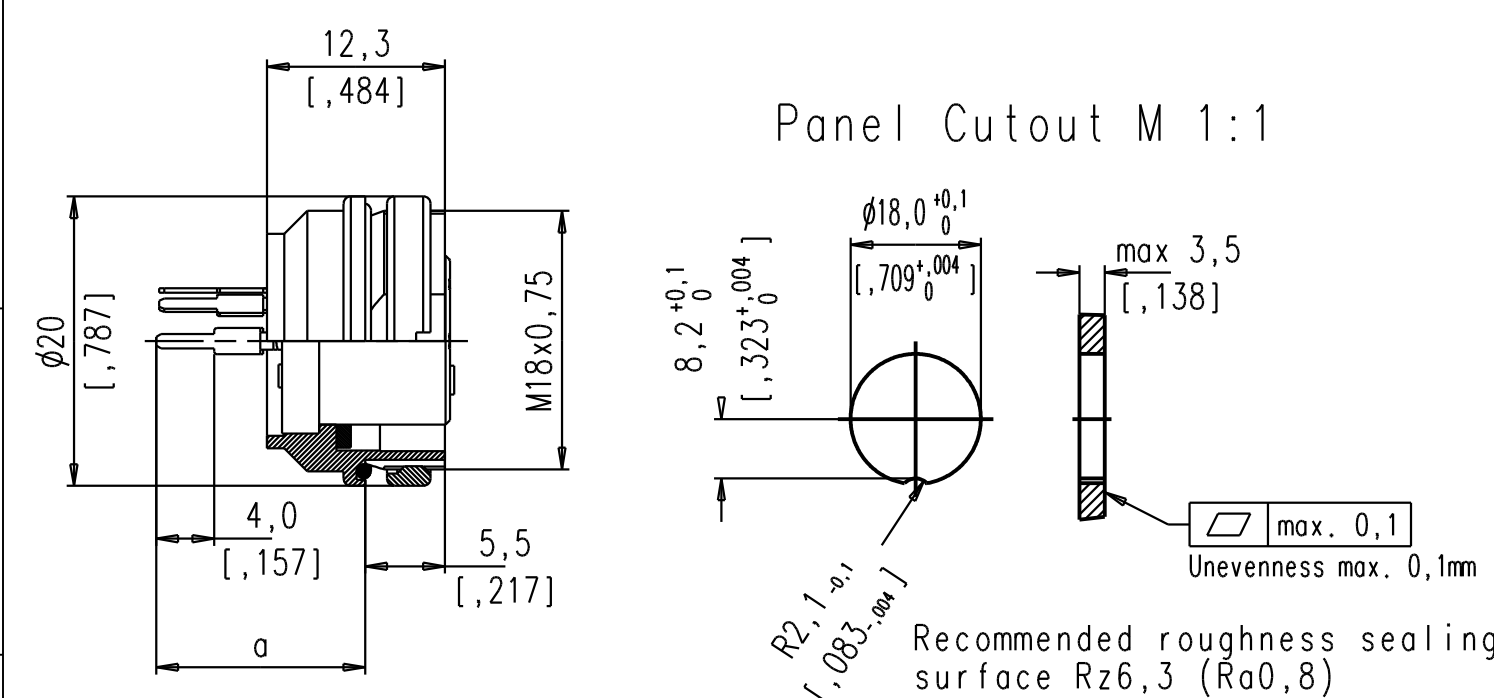


Copying of this document and giving it to others and the use or communication of the contents thereof, are forbidden without express authority. Offenders are liable to the payment of damages. All rights are reserved in the event of the grant of a patent or the registration of the utility model or design.

Weitergabe sowie Vervielfältigung dieser Unterlage, Verwertung und Mitteilung ihres Inhalts nicht gestattet, soweit nicht ausdrücklich zugelassen. Zuwiderhandlungen verpflichten zu Schadensersatz. Alle Rechte für den Fall der Patenterteilung oder Gebrauchsmuster-Eintragung vorbehalten.



Polzahl number of contacts	Norm standard	3	4	5	5S	6	7	7S	8	12	14
Kontaktanordnung contact arrangement	DIN EN 61076-2-106	03-a	04-a	05-a	05-b	06-a	07-a	07-b	08-a	12-a	14-a
Kontaktanordnung contact arrangement	IEC 60130-9 ¹⁾										
Bemessungsspannung ²⁾ rated voltage	IEC 60664-1	300 V (100 V)	300 V (63 V)	100 V (32 V)	300 V (63 V)	100 V (32 V)	150 V (32 V)	150 V (32 V)	150 V (32 V)	150 V (32 V)	150 V (32 V)
Bemessungsspannung rated voltage	UL 1977	250V								60V	
Bemessungs-Stoßspannung ²⁾ rated impulse withstand voltage	IEC 60664-1	1500 V (840 V)	1200 V (500 V)	1500 V (840 V)	1200 V (500 V)	1500 V (840 V)	1200 V (500 V)	1500 V (840 V)	1200 V (500 V)	1500 V (840 V)	1200 V (500 V)
Verschmutzungsgrad ²⁾ pollution degree	IEC 60664-1	1 (3 ³⁾)									
Überspannungskategorie installation category	IEC 60664-1	I									
Isolierstoffgruppe insulation group	IEC 60664-1	II, 400 ≤ CTI < 600									
Strombelastbarkeit current rating	IEC 60512-5-2 UL 1977	5A / +40°C / +104°F								3A / +40°C / +104°F	
Isolationswiderstand insulation resistance	IEC 60512-3-1	>10 ¹⁰ Ω ⁴⁾									
Durchgangswiderstand contact resistance	IEC 60512-2-1	< 5m Ω									
Prüfklasse climatic category	IEC 60668-1	40/100/56									
Temperaturbereich temperatur range	IEC 60668-1	- 40°C ... +100°C - 40°F ... +212°F									
IP-Schutzart IP-degree	IEC 60529	IP 67 / IP 65 (in mated condition)									
Steck- und Ziehkraft insertion and withdrawal force	IEC 60512-13-2	25 N	30 N	35 N	50 N	55 N	60 N	50 N			
Mechanische Lebensdauer mechanical operation	IEC 60512-9-1	silber/silver ≥ 500 Steckzyklen/mating cycles gold/gold ≥ 1000 Steckzyklen/mating cycles									
Werkstoff Gehäuse housing material		Zink-Druckguß, Oberfläche vernickelt die cast, nickel plated									
Werkstoff Kontaktträger dielectric material		Thermoplast thermoplastic									
Werkstoff Dichtung sealing material		Neoprene neoprene									
Kontaktoberfläche contact plating		versilbert/vergoldet ⁵⁾ silver plated/gold/plated									
Anschlusstechnik termination technique		löten solder									
Anschlussquerschnitt wire gauge		< 0,5 mm ² 20 AWG					≥ 0,25 mm ² 24 AWG				
Brennbarkeit flammability		UL 94 V0									
Verriegelung locking system	IEC 60130-9 DIN EN 61076-2-106	schrauben; Anzugsmoment 0,7 Nm metal screw coupling; tightening torque 0,7 Nm									

	14	Ag	C091 61G014 110 2 U	-	-		
		Au	C091 61G014 210 2 U	-	-		
	12	Ag	C091 61G012 110 2 U	-	-		
		Au	C091 61G012 210 2 U	-	-		
	8	Ag	C091 61G008 110 2 U	C091 61G008 120 2 U	C091 61G008 130 2 U		
	IEC	Au	-	-	-		
	7	Ag	C091 61G107 110 2 U	C091 61G107 120 2 U	C091 61G107 130 2 U		
	IEC	Au	-	-	-		
	7	Ag	C091 61G007 110 2 U	C091 61G007 120 2 U	C091 61G007 130 2 U		
		Au	-	-	-		
	6	Ag	C091 61G006 110 2 U	C091 61G006 120 2 U	C091 61G006 130 2 U		
		Au	C091 61G006 210 2 U	-	-		
	5	Ag	C091 61G005 110 2 U	C091 61G005 120 2 U	C091 61G005 130 2 U		
		Au	-	-	-		
	5	Ag	C091 61G105 110 2 U	C091 61G105 120 2 U	C091 61G105 130 2 U		
	IEC	Au	-	-	-		
	4	Ag	C091 61G004 110 2 U	C091 61G004 120 2 U	C091 61G004 130 2 U		
		Au	-	-	-		
	3	Ag	C091 61G003 110 2 U	C091 61G003 120 2 U	C091 61G003 130 2 U		
		Au	-	-	-		
SYMBOL symbol	POLZAHL number of contacts	a = 10,5 mm [0,413]		a = 14,5 mm [0,570]		a = 19,5 mm [0,767]	

¹⁾ Edition 2000-05
²⁾ values in brackets are according to DIN EN 61076-2-106
³⁾ designed acc. pollution degree 2; can be used under pollution degree 3 when the rules of IEC 60644-1 are fulfilled
⁴⁾ under operating conditions >10⁸ Ω
⁵⁾ Remark for gold plated contacts:
 In order to avoid brittle inter-metallic connections, gold-plated terminals have to be tin-plated in the solder area.

Parts according to directive 2002/95/EG (RoHS)
 Do not connect or disconnect under load. Metal housing parts shall be securely incorporated to protected ground.
 All technical data have been measured in a laboratory environment and can be different during practical usage of the product. Any product information is for descriptive usage only and not legally binding; particularly the information does not constitute or provide any legal guarantees.

Gewicht (errechnet)/Calc WT:	9	Zul. Abw./Tolerances:	Maßstab/Scale 2:1	A3
Prüfmaß/Test dimension			CUSTOMER DRAWING	
Teileindex Part index number			Gerätedose female receptacle	
	15	Datum/Date	Name	
	Gez.	09.06.	Mohrlang	
	Gepr.			
	Checked			
Amphenol-Tuchel Electronics GmbH			M	C091 61GXXX XX0 2 U
01	201500429	09.06.15	1M	Blatt/Sheet 1 1 Bl.
Index	Änderung/Description	Datum/Date	Name	Ers. f./Similar to:

Mouser Electronics

Authorized Distributor

Click to View Pricing, Inventory, Delivery & Lifecycle Information:

[Amphenol:](#)

[C091 61G004 130 2](#)