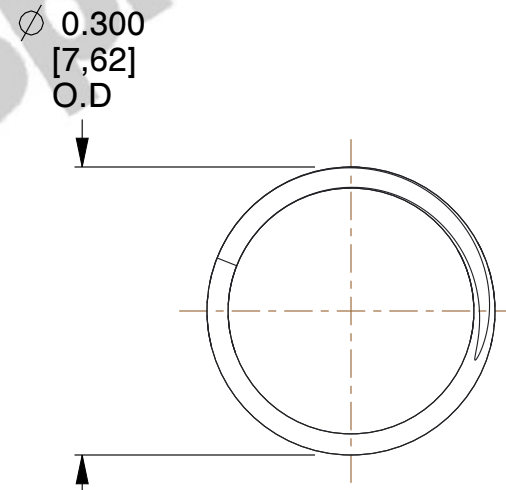
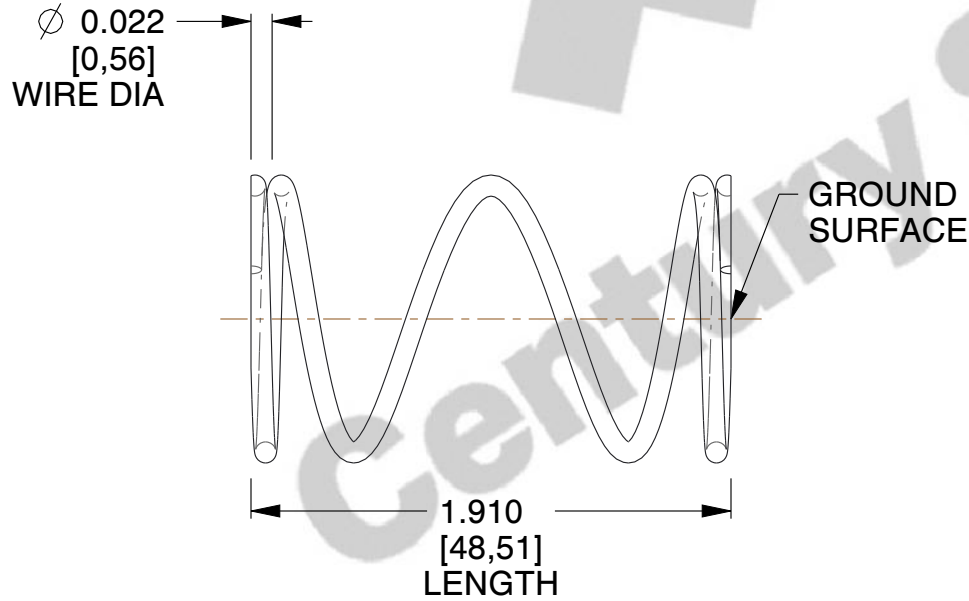
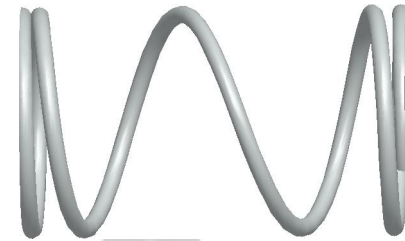


NOTES:

1. Material : Stainless Steel
2. Finish : Glod Irridite
3. Ends : Closed and Ground
4. Total Coils : 4.380
5. Sugg. Max. Deflection : 0.250 (in)
6. Sugg. Max. Load : 1.400 (lbs)
7. All Drawing Dimensions are in Inches [mm]



COMPONENT		SPRINGS	
70781S		UNIT	
		INCH [mm]	
COMPRESSION SPRINGS		SHEET	
		1 of 1	