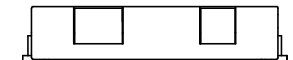
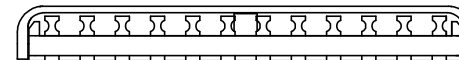
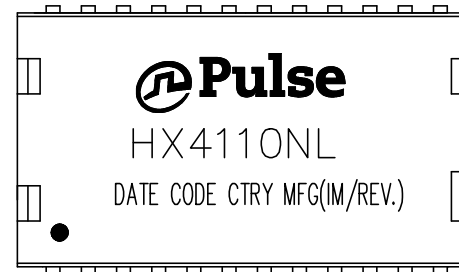




NOTES:

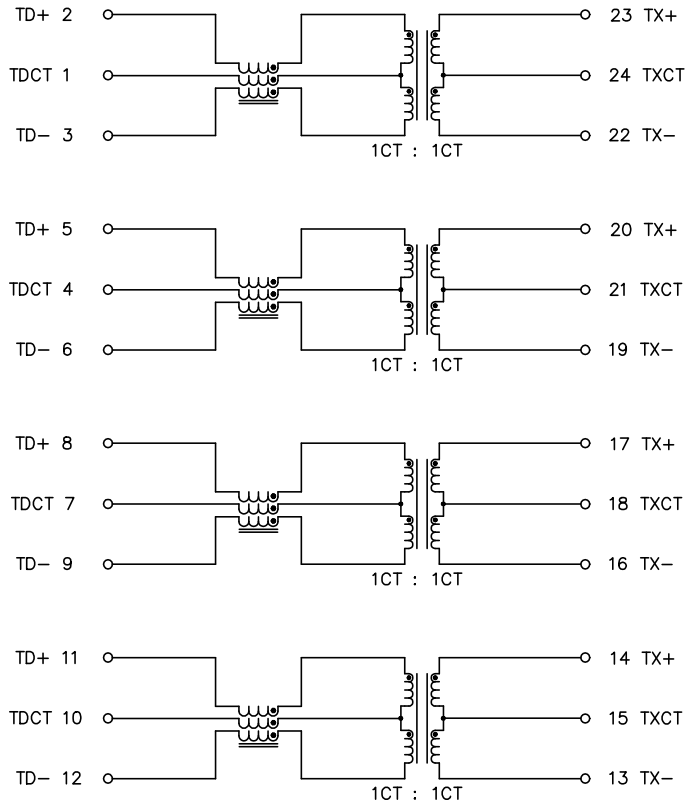
1. ROHS COMPLIANT
2. HEADER: DAP (DIALLYL PHTHALATE) WITH FLAMMABILITY RATING UL 94V-0 OR BETTER.
COVER: LCP RATING UL 94V-0 OR BETTER.
3. STORAGE TEMPERATURE: -50°C TO +125°C
4. COMPLIANCE TO J-STD:
 - A. J-STD-002: SOLDERABILITY AT 245°C REFLOW PROFILE
 - B. J-STD-020: LEVEL 1, NO MOISTURE SENSITIVE
 - C. J-STD-075: R7, 245°C MAXIMUM THROUGH REFLOW SOLDER
5. TO ORDER TAPE & REEL PACKAGING ADD A "T" SUFFIX TO THE PART NUMBER(i.e HX4110NL BECOMES HX4110NLT).



FINAL OUTLINE

© Copyright, 2018. Pulse Electronics Corp. All rights reserved. Pulse confidential & proprietary. (09/12/18)

| PRODUCT DESCRIPTION | TLA DRAWING | PS DRAWING | SHEET | PART NO. | DATASHEET REV. |
|-----------------------|-------------|---------------|--------|----------|----------------|
| MDL,SIN,1GD,1:1,SM,TU | HX4110NL-X1 | PS-2422.001-C | 1 OF 3 | HX4110NL | A |



SCHEMATIC

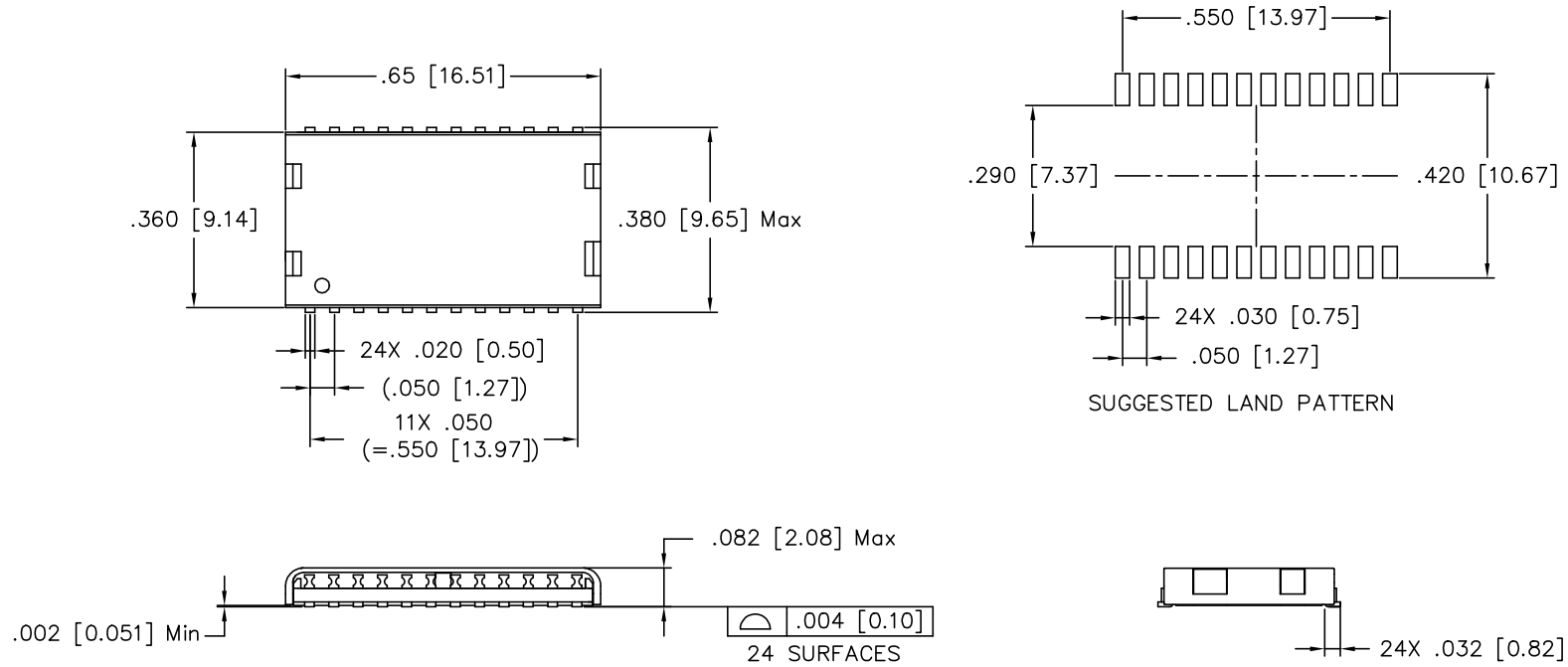
ELECTRICAL CHARACTERISTICS AT +25°C UNLESS OTHER SPECIFIED
MEETS IEEE 802.3 SPECIFICATION

| PARAMETER | SPECIFICATIONS | | |
|--|---|--|-------------|
| OPERATING TEMPERATURE | -40°C TO +85°C | | |
| URNS RATIO | 1.00 ± 2% | | |
| POLARITY | PER SCHEMATIC | | |
| INSERTION LOSS (SDD21&SDD12) | 1-50 MHz | 50-125 MHz | 125-200 MHz |
| | -0.8 dB MAX | -1.2 dB MAX | -2.0 dB MAX |
| PHY-SIDE RETURN LOSS (SDD11 - Zref = 100 OHMS ± 1%) | 1 MHz-40 MHz | 40 MHz-200 MHz | |
| | -20 dB MIN | -20+15*LOG ₁₀ (f/40) dB MIN | |
| LINE-SIDE RETURN LOSS (SDD22 - Zref = 100 OHMS ± 1%) | 1 MHz-40 MHz | 40 MHz-200 MHz | |
| | -20 dB MIN | -20+15*LOG ₁₀ (f/40) dB MIN | |
| INDUCTANCE (OCL) | 120 uH MIN @ 100 kHz, 100 mV WITH 10.5 mA DC BIAS | | |
| CROSSTALK, ADJACENT CHANNELS (SDD21 - ADJ.) | 1-100 MHz | 100-200 MHz | |
| | -30 dB MIN | -20 dB MIN | |
| COMMON MODE REJECTION RATIO (SCC21) | 1 MHz-100 MHz | 100MHz-200MHz | |
| | -28 dB MIN | -25 dB MIN | |
| DC CURRENT CARRYING CAPABILITY | 600 mA MAX AT 57V | | |
| INPUT - OUTPUT ISOLATION | 1500 VRMS MIN @ 60 SECONDS | | |

NOTE: f IS FREQUENCY IN MHZ.

© Copyright, 2018. Pulse Electronics Corp. All rights reserved. Pulse confidential & proprietary. (09/12/18)

| PRODUCT DESCRIPTION | TLA DRAWING | PS DRAWING | SHEET | PART NO. | DATASHEET REV. |
|-----------------------|-------------|---------------|--------|----------|----------------|
| MDL,SIN,1GD,1:1,SM,TU | HX411ONL-X1 | PS-2422.001-C | 2 OF 3 | HX411ONL | A |



DIMENSIONS ARE IN INCHES [MILLIMETERS] WITH THE FOLLOWING TOLERANCES: [MILLIMETERS] ARE FOR REFERENCE ONLY.
 .XX= ±.01 [±0.25]
 .XXX= ±.005 [±0.13]

© Copyright, 2018. Pulse Electronics Corp. All rights reserved. Pulse confidential & proprietary. (09/12/18)

| PRODUCT DESCRIPTION | TLA DRAWING | PS DRAWING | SHEET | PART NO. | DATASHEET REV. |
|-----------------------|-------------|---------------|--------|----------|----------------|
| MDL,SIN,1GD,1:1,SM,TU | HX4110NL-X1 | PS-2422.001-C | 3 OF 3 | HX4110NL | A |