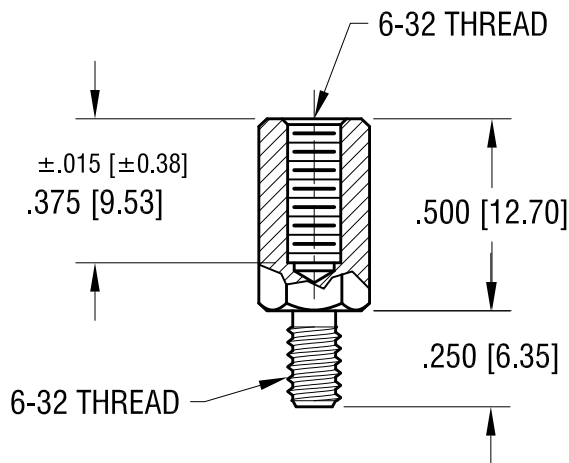
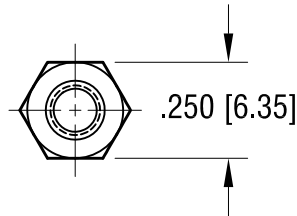
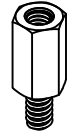


THIS DOCUMENT IS THE PROPERTY OF
KEYSTONE ELECTRONICS CORP. AND
SHALL NOT BE REPRODUCED, DISTRIBUTED
OR USED AS A BASIS FOR MANUFACTURE
WITHOUT PRIOR WRITTEN PERMISSION
FROM KEYSTONE ELECTRONICS CORP.

ACTUAL SIZE



KEYSTONE ELECTRONICS CORP.			
www.keyelco.com • NEW HYDE PARK, NY 11040 • Tel (516) 328-7500			
PART NAME		HEX M/F STANDOFF	
MATERIAL		LEAD FREE ALUMINUM	
FINISH		DRN BY	DATE
CLEAR IRIDITE		BOONE	2.10.98
		APP'D	SCALE
		RH	2X
TOLERANCES	INCH [MM]	CODE	DWG NO.
DECIMAL	± .005 [± 0.13]	C	8414
ANGULAR	± 1°		
UNLESS OTHERWISE SPECIFIED			

1.04.24	CHANGE AS PER ECN 24-015	B
7.7.22	CHANGE AS PER ECR 22-122	A
DATE	DESCRIPTION	REV.