

Y distributor - SAC-4PY-MT/2XFT VP - 1410632

Please be informed that the data shown in this PDF Document is generated from our Online Catalog. Please find the complete data in the user's documentation. Our General Terms of Use for Downloads are valid (<http://phoenixcontact.com/download>)



Y distributor, 4-position, Plug straight M12 SPEEDCON, T-coded, on Socket straight M12 SPEEDCON, T-coded and Socket straight M12 SPEEDCON, T-coded, For direct current up to 12 A/63 V

Your advantages

- ✓ High-performance: DC connectors for up to 12 A and 63 V DC
- ✓ Protection against incorrect connection using special T-coding



Key Commercial Data

Packing unit	5 pc
GTIN	
GTIN	4046356924726

Technical data

Dimensions

Center distance	21 mm
-----------------	-------

Ambient conditions

Ambient temperature (operation)	-25 °C ... 80 °C (Plug / socket)
Degree of protection	IP65
	IP67

General

Rated current at 40 °C	2x 12 A (at 40 °C)
Rated voltage	63 V DC
Number of positions	4
Color handle area	black
Insulation resistance	≥ 100 MΩ
Coding	T power
Standards/regulations	M12 connector IEC 61076-2-111

Y distributor - SAC-4PY-MT/2XFT VP - 1410632

Technical data

General

Status display	No
Overvoltage category	III
Degree of pollution	3
Insertion/withdrawal cycles	≥ 100
Torque	0.4 Nm (M12 connector)

Material

Flammability rating according to UL 94	HB
Contact material	CuZn
Contact surface material	Ni/Au
Contact carrier material	PA
Material of grip body	TPU, hardly inflammable, self-extinguishing
Material, knurls	Zinc die-cast, nickel-plated

Standards and Regulations

Standard designation	M12 connector
Standards/regulations	IEC 61076-2-111
Flammability rating according to UL 94	HB

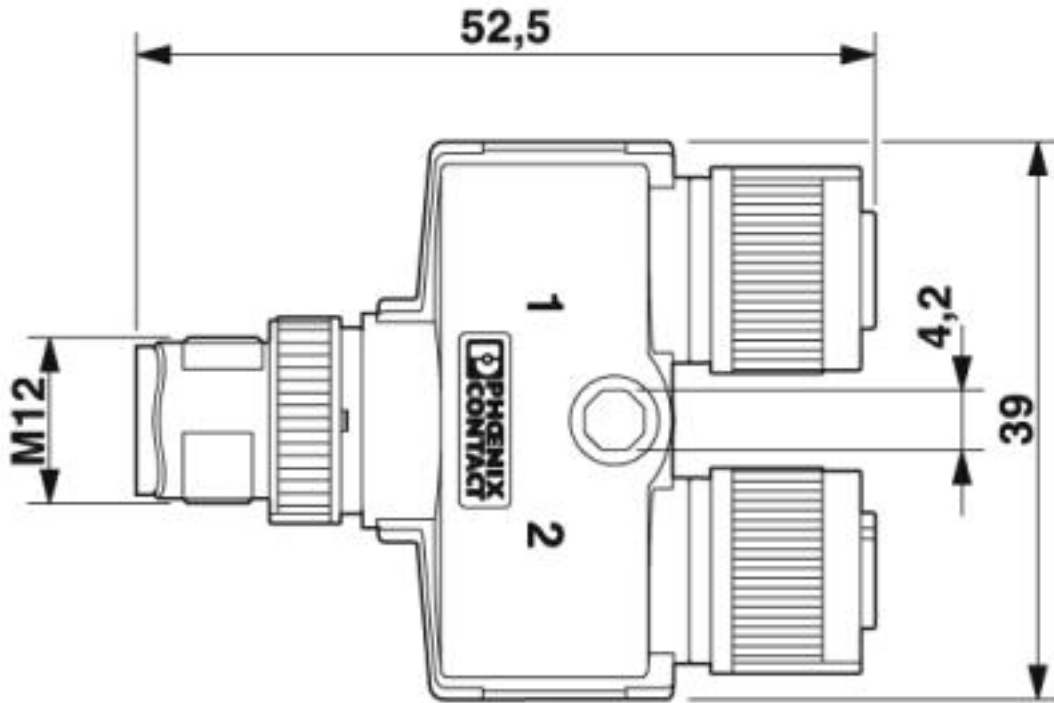
Environmental Product Compliance

	Lead 7439-92-1
--	----------------

Drawings

Y distributor - SAC-4PY-MT/2XFT VP - 1410632

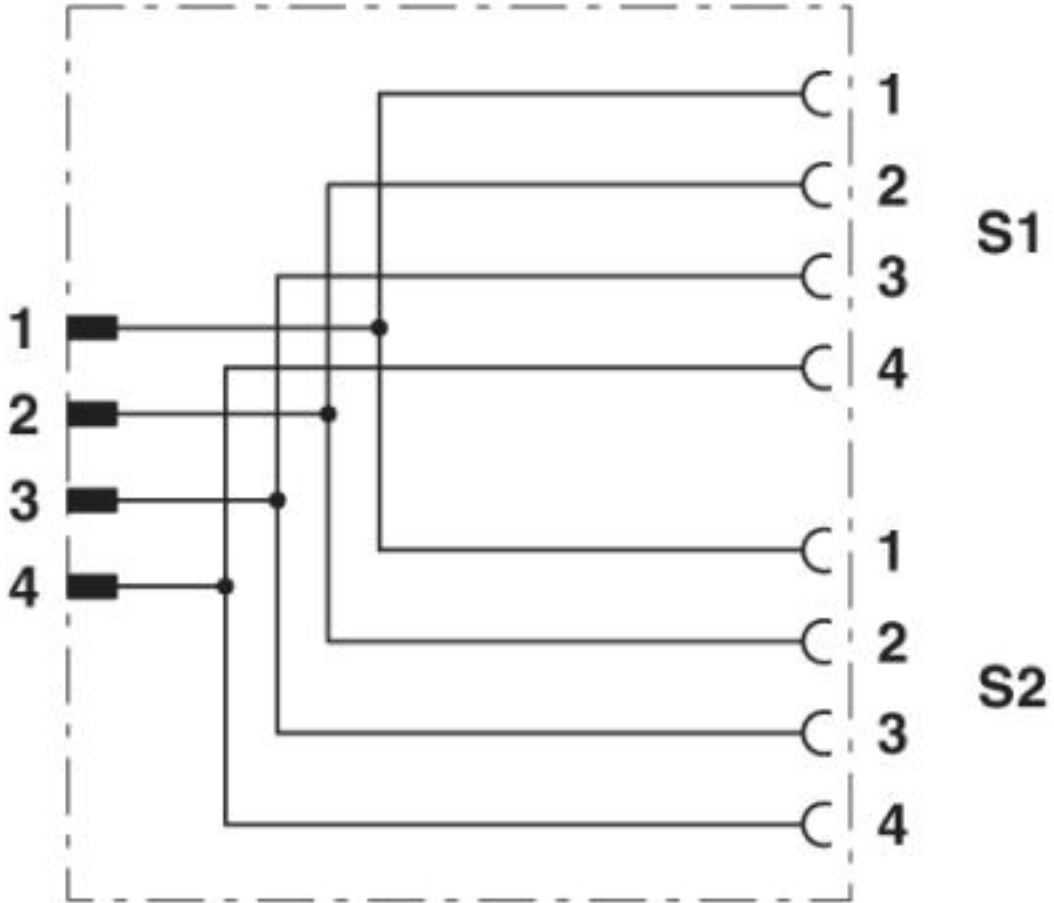
Dimensional drawing



M12 Y distributor

Y distributor - SAC-4PY-MT/2XFT VP - 1410632

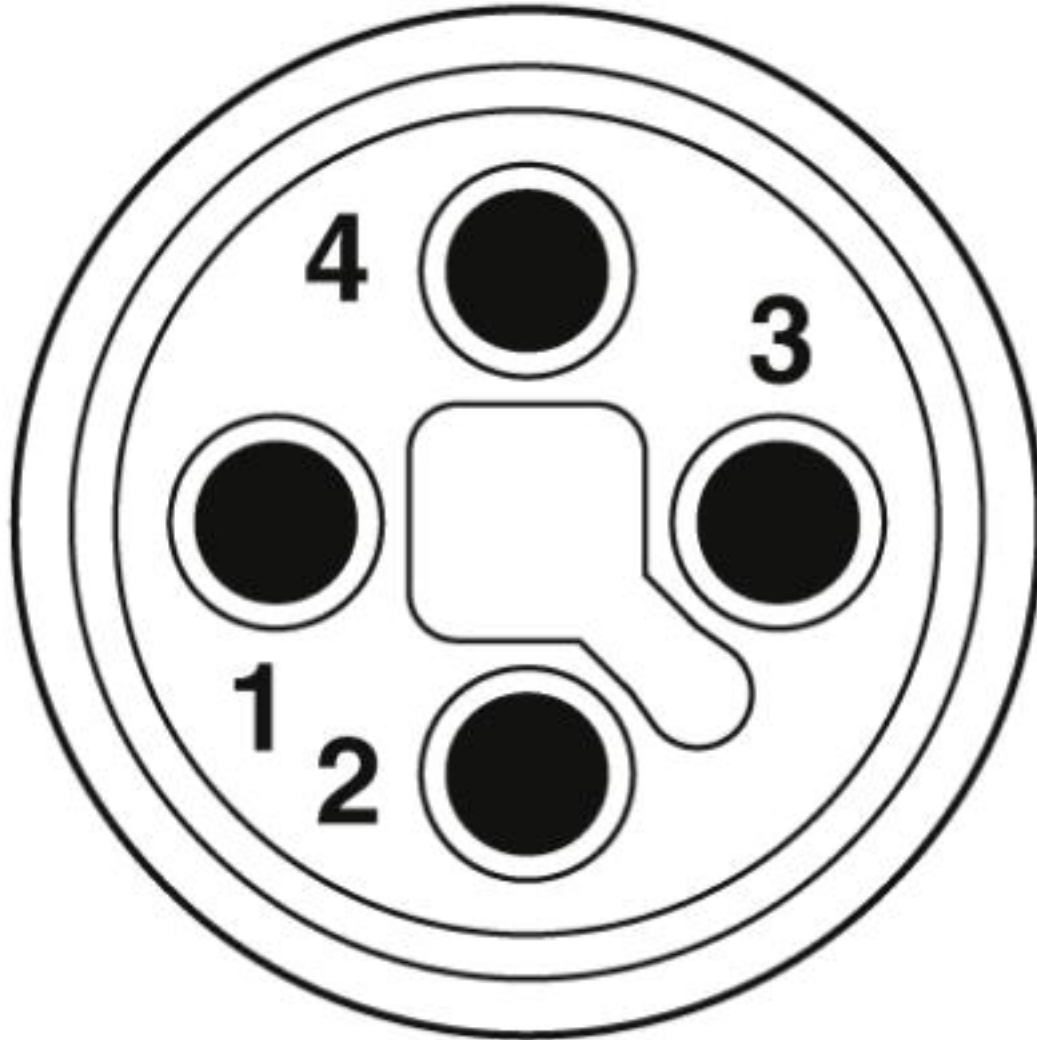
Circuit diagram



Contact assignment of the M12 Y distributor

Y distributor - SAC-4PY-MT/2XFT VP - 1410632

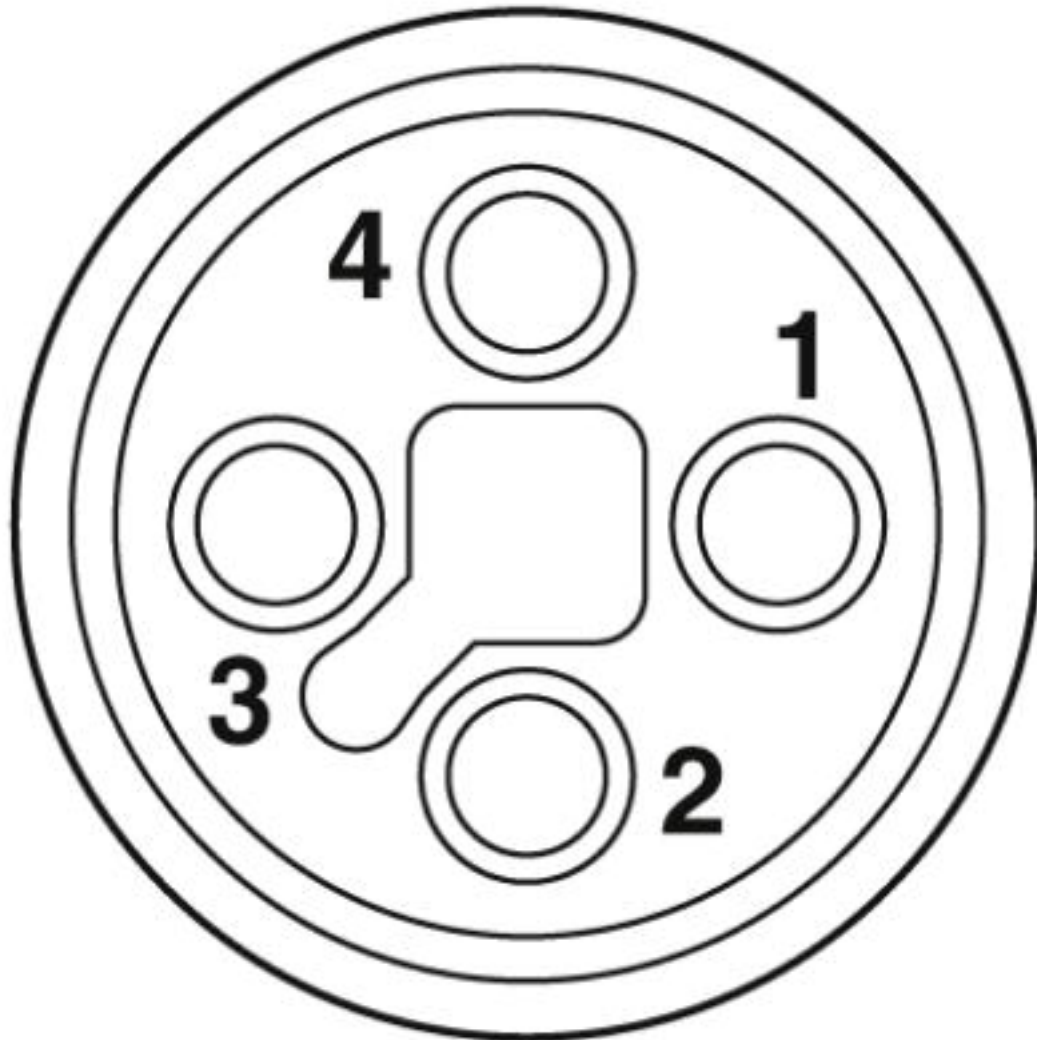
Schematic diagram



Pin assignment for M12 plug, 4-pos., T-coded, view of plug side

Y distributor - SAC-4PY-MT/2XFT VP - 1410632

Schematic diagram



Pin assignment of M12 socket, 4-pos., T-coded, socket side view

Phoenix Contact 2019 © - all rights reserved
<http://www.phoenixcontact.com>

PHOENIX CONTACT GmbH & Co. KG
Flachsmarktstr. 8
32825 Blomberg
Germany
Tel. +49 5235 300
Fax +49 5235 3 41200
<http://www.phoenixcontact.com>