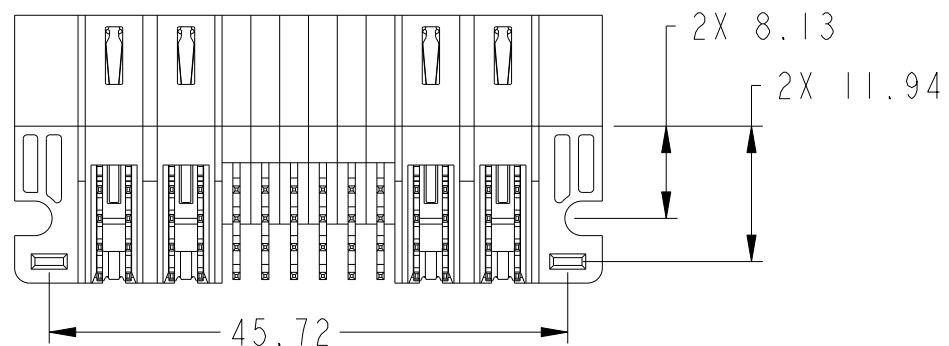
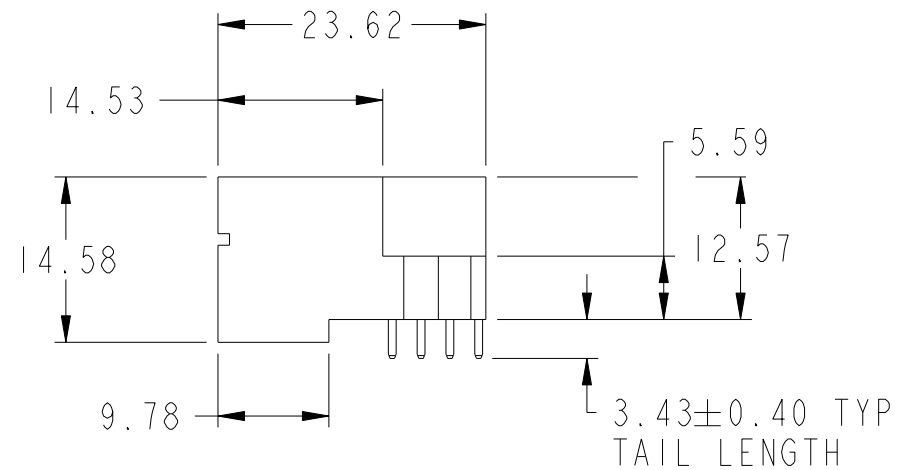
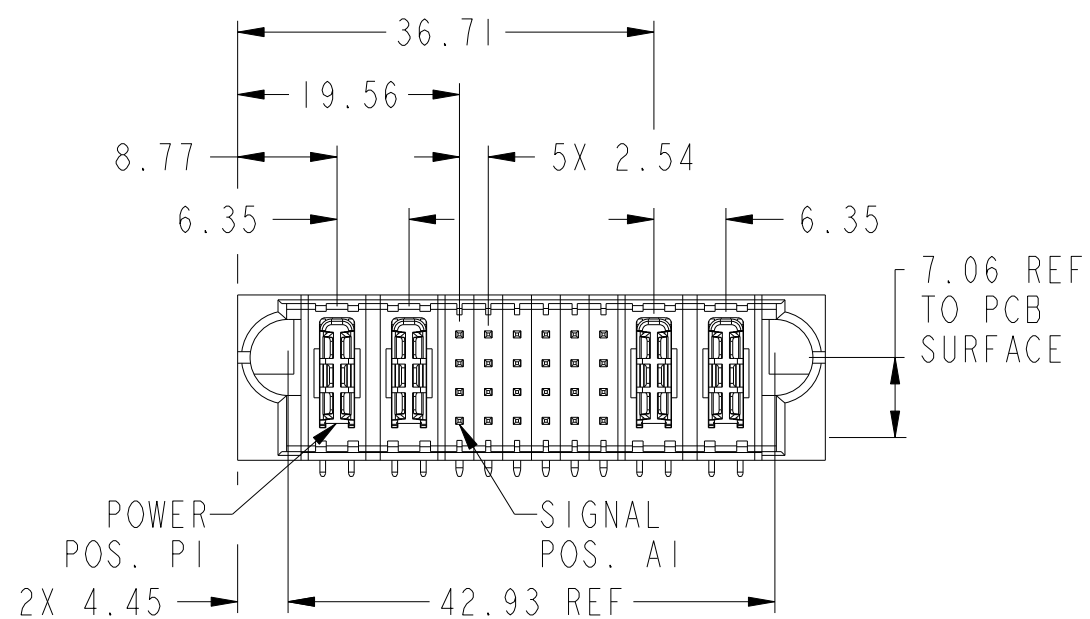
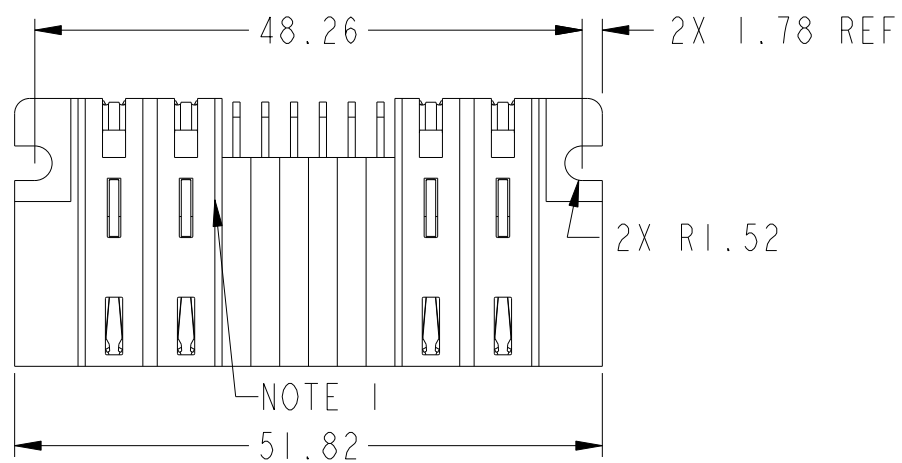


PRODUCT NUMBER SEE SHEET 2

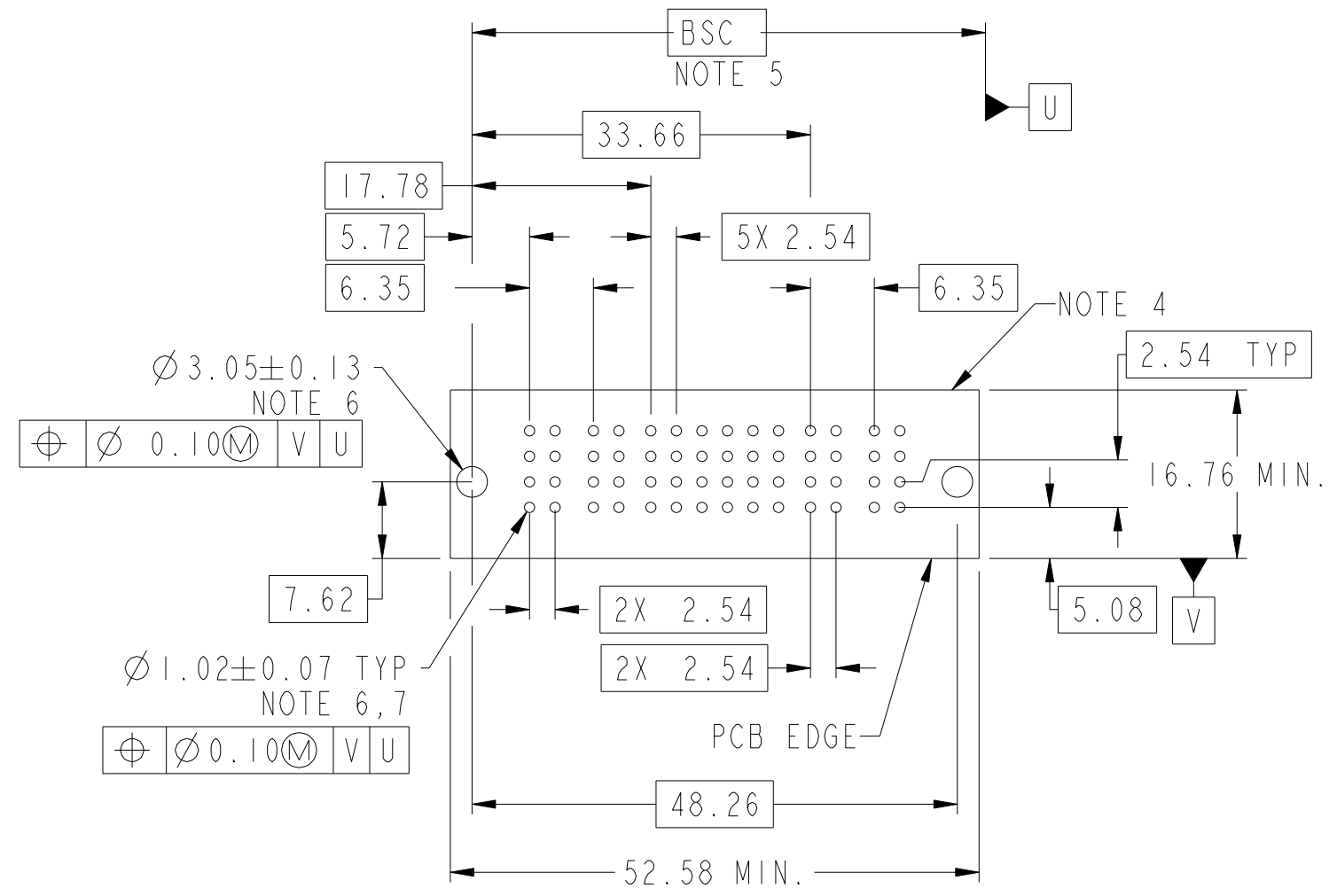


spec ref	dr	Sunny2 Liu	2017/06/26	projection	MM	size	A3	scale	3:2
tolerance std	eng	Sunny2 Liu	2017/07/04			ecn no	-	rel level	Released
ISO 406 ISO 1101	chr	Fancy Zhang	2017/07/04						
surface	TOLERANCES UNLESS OTHERWISE SPECIFIED	appr	Pei-Ming Zheng	2017/07/04	product family	PwrBlade+		Released	
						linear	0.X	±0.5	Amphenol FCI title 2HP + 24S + 2HP RA STB PLUG cat. no.
ISO 1302	angular	0°	±2°	Product - Customer Drw		sheet 1 of 3			

Amphenol FCI

© 2016 AFCI

PRODUCT NO.	ROWS	HP		S						HP		E2
		E1	P1	P2	1	2	3	4	5	6	P3	
10106124-4006008LF	DCBA	H1	H1	U	U	U	U	U	U	U	H1	H1



Amphenol
FCi

© 2016 AFCI

CODE	DESCRIPTION
G	MLBF SIGNAL CONTACT, ROW C (3.43)
HI	STD HIGH POWER CONTACT (3.43)
R	STD SIGNAL CONTACT, ROW A (3.43)
S	STD SIGNAL CONTACT, ROW B (3.43)
T	STD SIGNAL CONTACT, ROW C (3.43)
U	STD SIGNAL CONTACT, ROW D (3.43)

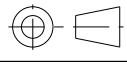
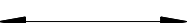

spec ref	dr	Sunny2 Liu	2017/06/26	projection	MM	size	A3	scale	3:2
tolerance std	eng	Sunny2 Liu	2017/07/04			ecn no	-	rel level	Released
ISO 406 ISO 1101	chr	Fancy Zhang	2017/07/04						
surface	TOLERANCES UNLESS OTHERWISE SPECIFIED	appr	Pei-Ming Zheng	2017/07/04	product family	PwrBlade+		rev	
		linear	0.X	±0.5	Amphenol FCi	2HP + 24S + 2HP		dwg no 10106124-4006008	A
0.XX	±0.25	RA STB PLUG							
0.XXX	±0.10	cat. no.		Product - Customer Drw		sheet 2 of 3			
ISO 1302	angular	0°	±2°						

NOTES:

- 1) PRODUCT MARK:
PART NUMBER AND DATE CODE TO BE MARKED ON THIS SURFACE .
THE MARK CAN BE OMITTED IF THERE IS NOT ENOUGH SPACE ON THIS SURFACE.
- 2) MATERIALS:
-HOUSING : HIGH TEMP THERMOPLASTIC WITH GLASS FIBER, UL94V-0, BLACK.
-POWER CONTACT : HIGH CONDUCTIVITY COPPER ALLOY.
-SIGNAL CONTACT : COPPER ALLOY.
- 3) PLATING SPECIFICATION : 10116351
- 4) DENOTES CONNECTOR KEEP OUT ZONE.
- 5) DATUM AND BASIC DIMENIONS ARE ESTABLISHED BY CUSTOMER.
- 6) ALL HOLE DIAMETERS ARE FINISHED HOLE SIZES.
- 7) 1.15+/-0.025MM DRILLED HOLE PLATED WITH 0.00762MM MIN SN
OVER 0.0254-0.0762MM CU PLATING TO ACHIEVE A 1.02+/-0.07MM HOLE.
- 8) THE HOUSING WILL WITHSTAND EXPOSURE TO 265 °C PEAK TEMPERATURE
FOR 10 SECONDS IN A WAVE SOLDER APPLICATION.
- 9) THIS PRODUCT MEETS EUROPEAN UNION DIRECTIVES AND OTHER COUNTRY
REGULATIONS AS DESCRIBED IN GS-47-0004.
- 10) PRODUCT SPECIFICATION : GS-12-658.
APPLICATION SPECIFICATION : GS-20-141.
PRODUCT PACKAGE SPECIFICATION: GS-14-1502.

Amphenol
FCi

© 2016 AFCI

spec ref		dr	Sunny2 Liu	2017/06/26	projection	MM	size	A3	scale	3:2
tolerance std		TOLERANCES UNLESS OTHERWISE SPECIFIED					ecn no		-	
ISO 406		eng	Sunny2 Liu	2017/07/04			rel level		Released	
ISO 1101		chr	Fancy Zhang	2017/07/04	product family		PwrBlade+			
surface		appr	Pei-Ming Zheng	2017/07/04	title		2HP + 24S + 2HP		rev	
ISO 1302	linear				RA STB PLUG		dwg no 10106124-4006008		A	
	angular									

Mouser Electronics

Authorized Distributor

Click to View Pricing, Inventory, Delivery & Lifecycle Information:

[FCI / Amphenol:](#)

[10106124-4006008LF](#)