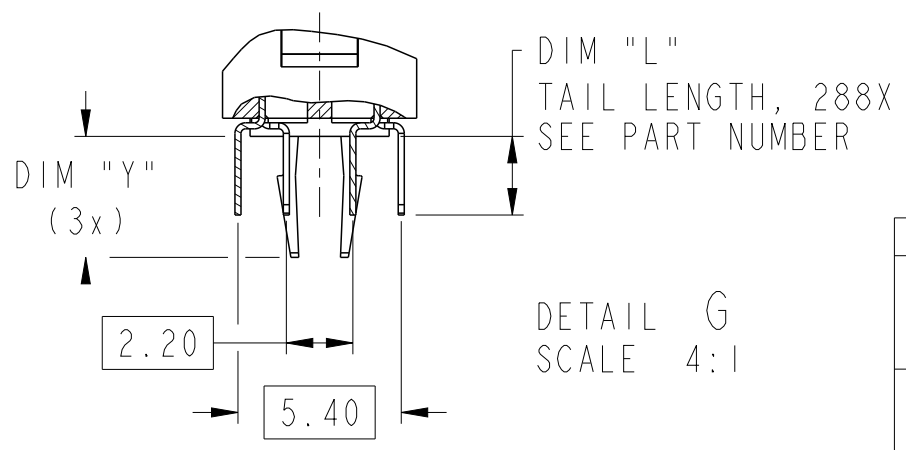
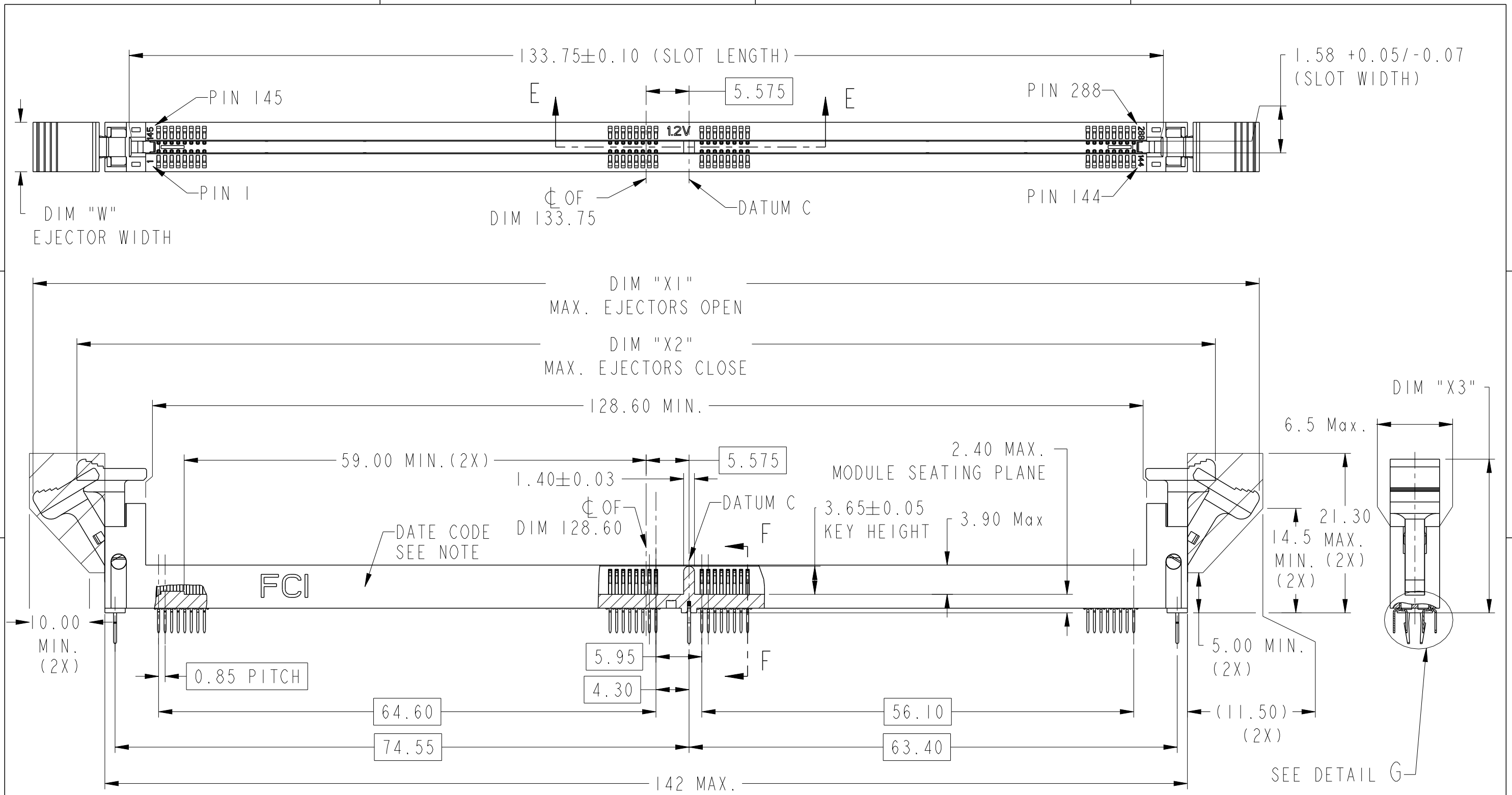


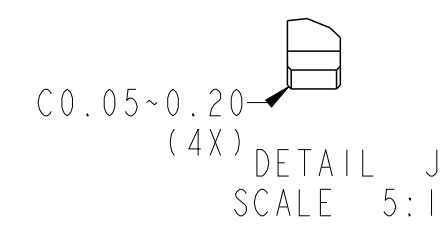
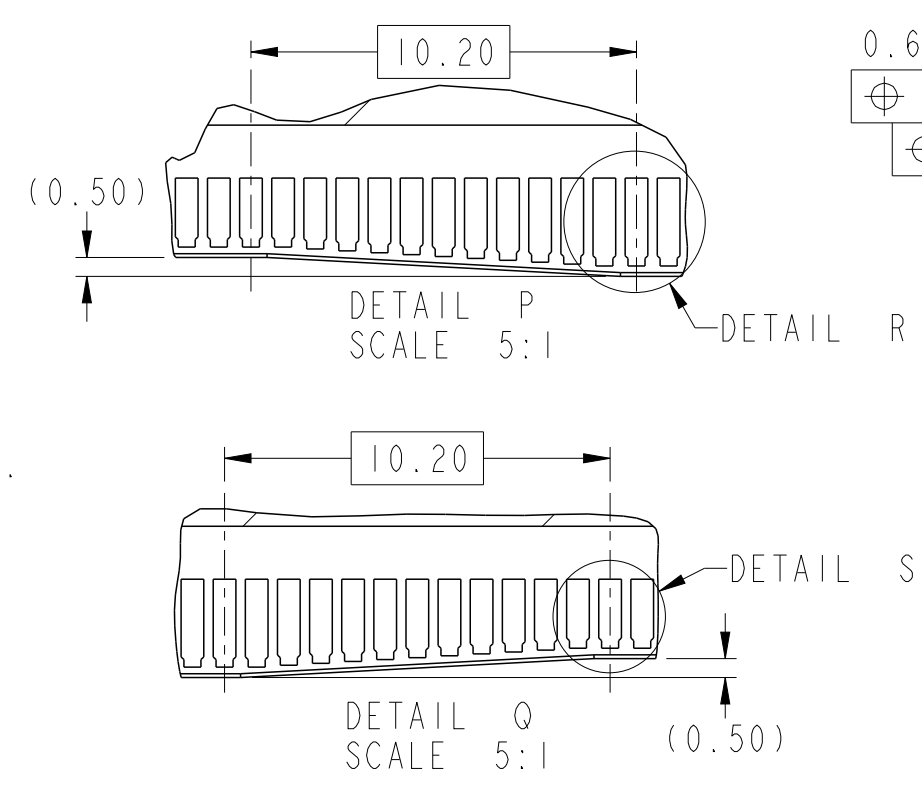
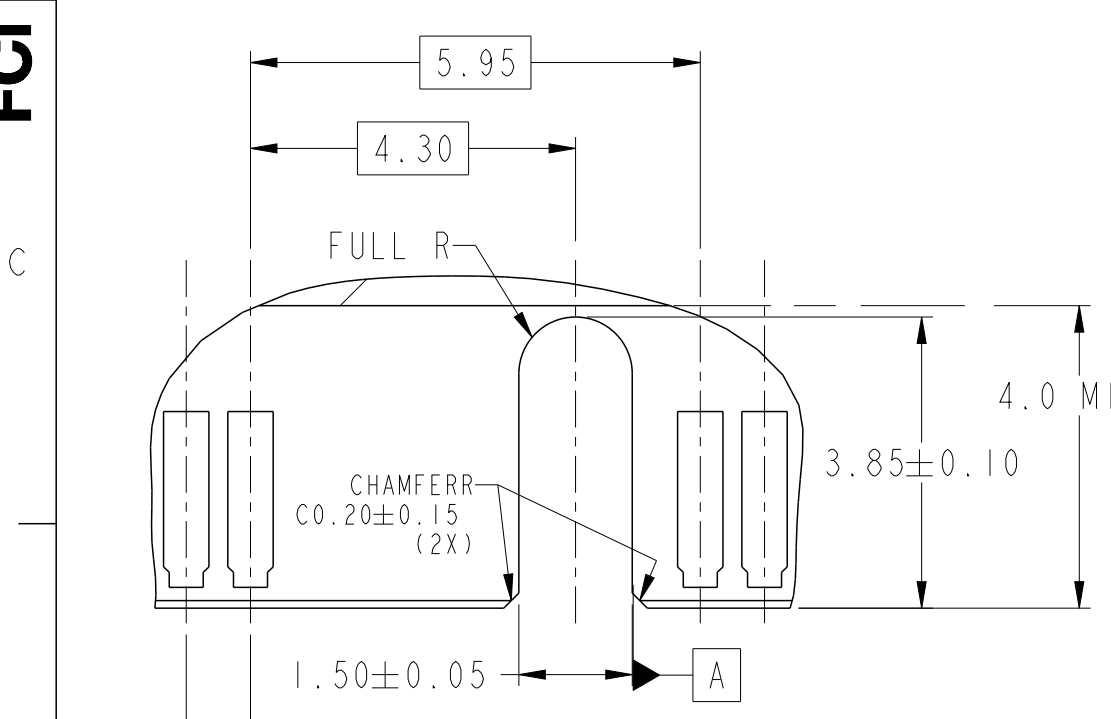
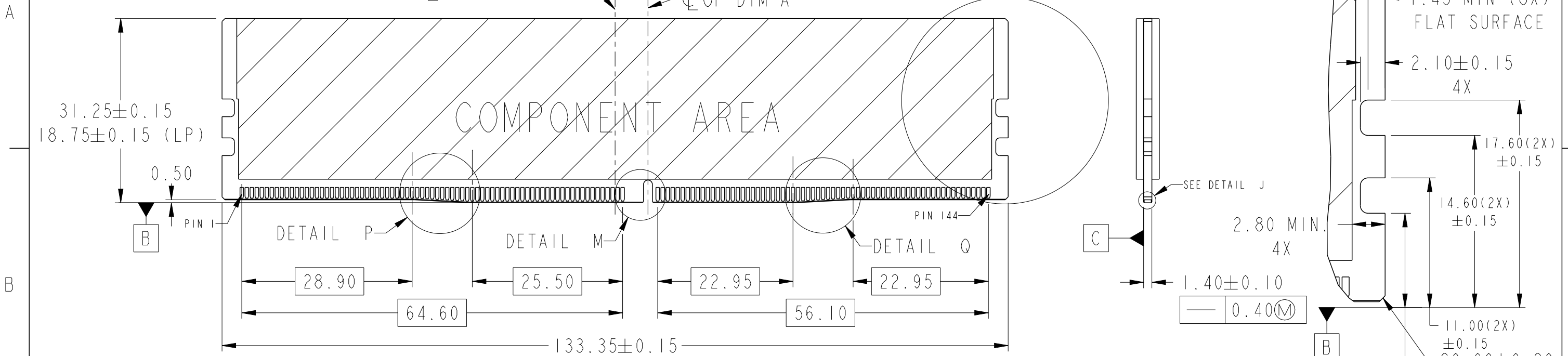
Amphenol
FCi

© 2016 AFCI



spec ref	dr	Nickor Zuo	2013/05/29	projection	MM	size	A3	scale	7:5
tolerance std	eng	Jeny Ren	2018/05/17			ecn no	ELX-DG-30194-1		
TOLERANCES UNLESS OTHERWISE SPECIFIED						product family	-	rel level	Released
surface	chr	-	-	Amphenol FCI		DDR4 288Pin DIMM CONNECTOR PTH TERMINATION		dwg no 10124632	rev L
ASME Y14.5	appr	Nickor Zuo	2018/05/30	cat. no.	-	Product - Customer Drw		sheet 1 of 5	

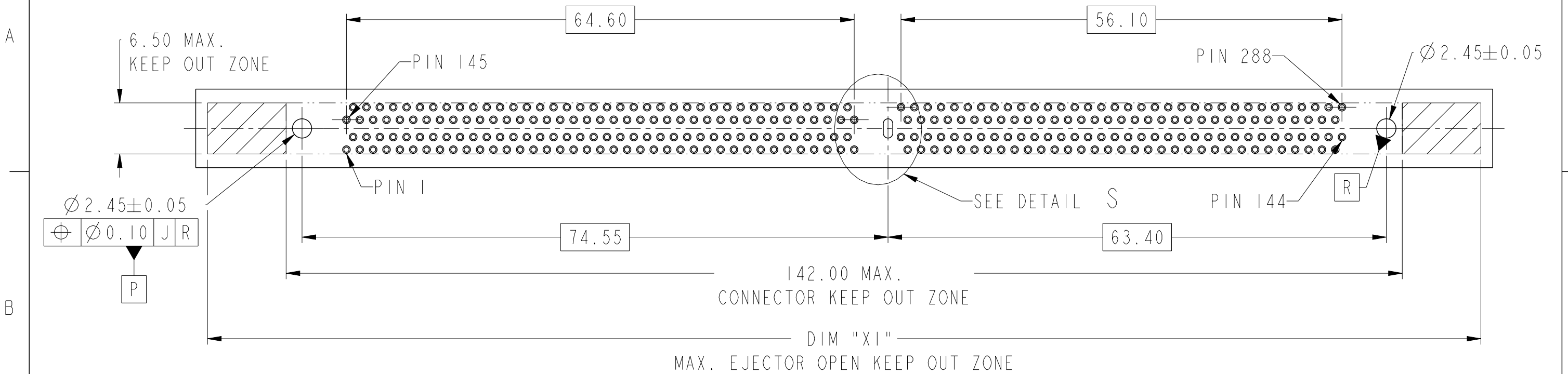
DDR4 MODULE
 MORE INFORMATION REFER TO JEDEC MO-309



spec ref	dr	Nickor Zuo	2013/05/29	projection	MM	size	A3	scale	3:2
tolerance std	eng	Jeny Ren	2018/05/17			ecn no	ELX-DG-30194-1		
TOLERANCES UNLESS OTHERWISE SPECIFIED	chr	-	-			rel level	Released		
	ASME Y14.5	appr	Nickor Zuo	2018/05/30	product family	-	rel level	Released	
surface	linear	0.X	±0.30	Amphenol FCI		dwg no	10124632		rev
		0.XX	±0.20	DDR4 288Pin DIMM CONNECTOR					L
		0.XXX	±0.10	PTH TERMINATION					
	angular	0°	±2°	cat. no.	-	Product - Customer Drw	sheet 2 of 5		

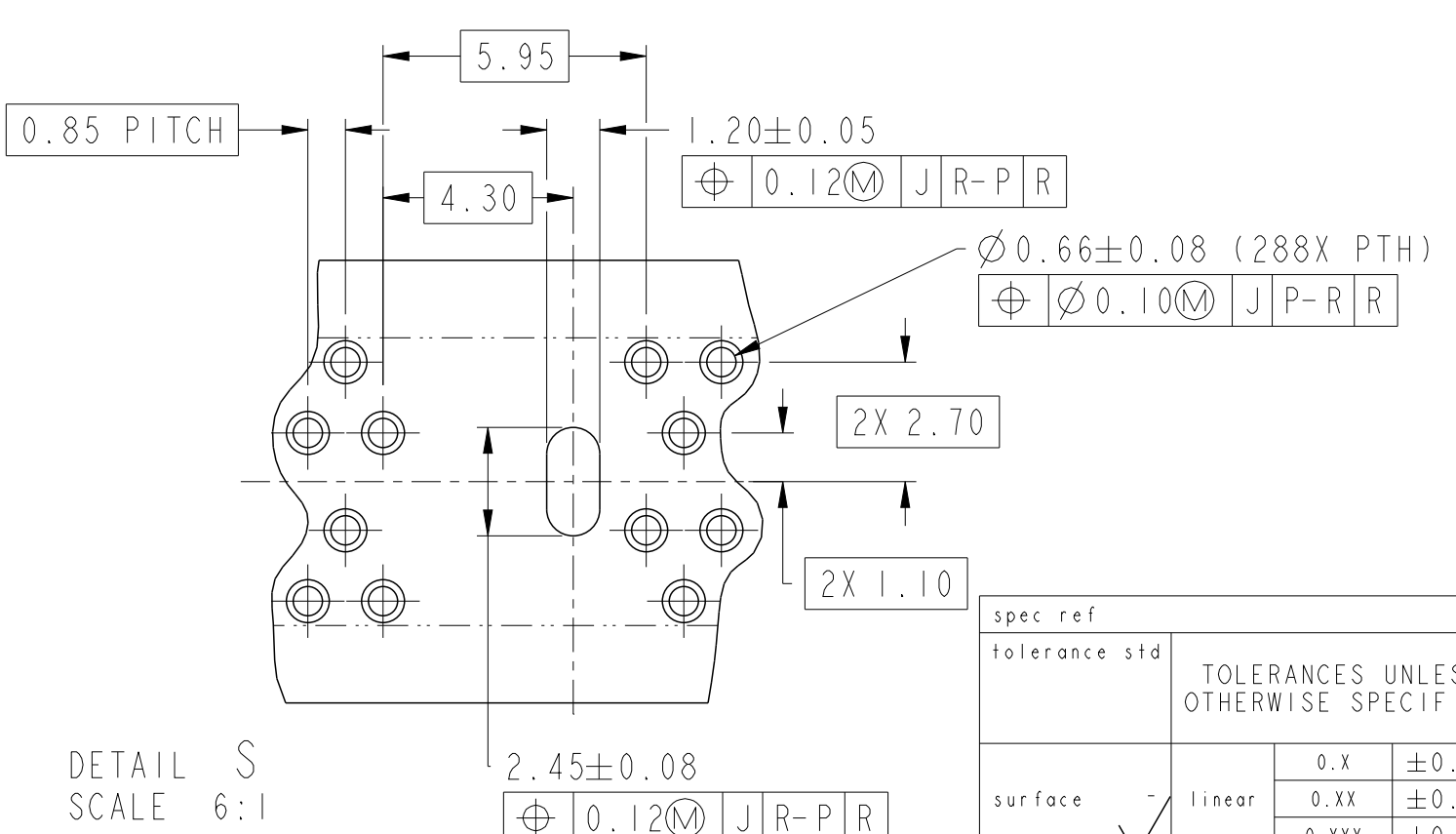
© 2016 AFCI
 Amphenol FCI

RECOMMENDED PCB LAYOUT
 MORE INFORMATION REFER TO JEDEC SO-016



Amphenol
 FCI

© 2016 AFCI



spec ref	dr	Nickor Zuo	2013/05/29	projection	MM	size	A3	scale	2:1
tolerance std	eng	Jeny Ren	2018/05/17			ecn no	ELX-DG-30194-1	rel level	Released
TOLERANCES UNLESS OTHERWISE SPECIFIED		chr	-						
surface	appr	Nickor Zuo	2018/05/30	product family	-	dwg no	10124632	rev	L
ASME Y14.5	linear	0.X	±0.30	Amphenol FCI		DDR4 288Pin DIMM CONNECTOR		PTH TERMINATION	
	angular	0°	±2°	cat. no.	-	Product - Customer Drw	sheet 3 of 5		

PRODUCT PART NUMBER

10124632-□□□□□□□□

ADDITIONAL REQUIREMENTS

- 0: RoHS COMPLIANT, SOFT TRAY PACKAGE (56PCS/TRAY)
- 2: RoHS COMPLIANT, HARD TRAY PACKAGE
- 4: RoHS COMPLIANT, SOFT TRAY PACKAGE (40PCS/TRAY)

HOLD DOWNS CONFIGURATIONS

- 0: 3 FORKLOCKS, DIM "Y" = 4.00 ± 0.25
- 1: 3 FORKLOCKS, DIM "Y" = 2.50 ± 0.25
- 2 OR 3: 3 FORKLOCKS, DIM "Y" = 3.78 ± 0.25

DIM "L", TAIL LENGTH

- 0: 2.60 ± 0.25
- 1: 3.20 ± 0.25
- 3: 2.40 ± 0.25
- 4: 2.10 + 0.25 / - 0.15
- 5: 2.95 ± 0.25
- 6: 2.80 ± 0.15

HOUSING COLOR

- 0: NATURAL
- 1: BLACK
- 2: BLUE
- 3: YELLOW

EJECTOR TYPE

TAIL PLATING

LF: 100u" MIN. MATTE TIN
TL: 100u" MIN. TIN LEAD

CONTACT AREA PLATING

CODE	CONTACT AREA	UNDERPLATING
1	15u" MIN. GOLD	50u" MIN. NICKEL
3	30u" MIN. GOLD	
4	30u" MIN. GXT	
5	15u" MIN. GXT	90u" MIN. NICKEL
6	30u" MIN. GOLD	
7	15u" MIN. GOLD	
G	GOLD FLASH	

CONTACTS LUBRICATION

- 0: WITHOUT
- 1: WITH

CODE	COLOR	DIM "X1"	DIM "X2"	DIM "W"	DIM "X3"	EJECTOR FIGURE
0	NATURAL	162.00	149.00	(6.42)	(19.95)	
1	BLACK					
2	BLUE					
A	GREEN	152.00	142.00	(6.42)	(19.35)	
3	NATURAL					
4	BLACK					
5	BLUE	152.00	142.00	(6.42)	(19.35)	
9	GREEN					
B	NATURAL					
C	BLACK	152.00	142.00	(6.42)	(19.35)	
G	GREEN					

CODE	COLOR	DIM "X1"	DIM "X2"	DIM "W"	DIM "X3"	EJECTOR FIGURE
R	NATURAL	156.00	145.00	(6.42)	(19.65)	
S	BLACK					
T	GREEN					
V	BLUE					
6	NATURAL	157.00	145.00	(4.00)	(19.65)	
7	BLACK					
8	BLUE					
J	NATURAL	155.00	145.00	(6.42)	(19.65)	
K	BLACK					
M	GREEN					
U	BLUE					

spec ref	dr	Nickor Zuo	2013/05/29	projection	MM	size	A3	scale	4:1
tolerance std	eng	Jeny Ren	2018/05/17		← →	ecn no	ELX-DG-30194-1		
TOLERANCES UNLESS OTHERWISE SPECIFIED						product family	-	rel level	Released
surface	linear	0.X	±0.30	Amphenol FCI	DDR4 288Pin DIMM CONNECTOR	dwg no	10124632	rev	L
		0.XX	±0.20						
0.XXX	±0.10								
ASME Y14.5	angular	0°	±2°						
cat. no.					-	Product - Customer Drw			sheet 4 of 5

PRODUCT PART NUMBER

10124632-□□□□□□□□

ADDITIONAL REQUIREMENTS

- 1: HALOGEN FREE COMPLIANT, SOFT TRAY PACKAGE
- 3: HALOGEN FREE COMPLIANT, HARD TRAY PACKAGE

HOLD DOWNS CONFIGURATIONS

- 0: 3 FORKLOCKS, DIM "Y" = 4.00 ± 0.25
- 1: 3 FORKLOCKS, DIM "Y" = 2.50 ± 0.25
- 2: 3 FORKLOCKS, DIM "Y" = 3.78 ± 0.25

DIM "L", TAIL LENGTH

- 0: 2.60 ± 0.25
- 1: 3.20 ± 0.25
- 3: 2.40 ± 0.25
- 4: 2.10 + 0.25 / - 0.15
- 5: 2.95 ± 0.25
- 6: 2.80 ± 0.15

HOUSING COLOR

- 0: NATURAL
- 1: BLACK
- 2: BLUE
- 3: YELLOW

EJECTOR TYPE

CODE	COLOR	DIM "X1"	DIM "X2"	DIM "W"	DIM "X3"	EJECTOR FIGURE
0	NATURAL	162.00	149.00	(6.42)	(19.95)	
1	BLACK					
3	NATURAL	152.00	142.00	(6.42)	(19.35)	
4	BLACK					
N	NATURAL	156.00	146.00	(6.42)	(19.65)	
P	BLACK	156.00	146.00	(6.42)	(19.65)	

TAIL PLATING

- LF: 100u" MIN. MATTE TIN
- TL: 100u" MIN. TIN LEAD

CONTACT AREA PLATING

CODE	CONTACT AREA	UNDERPLATING
1	15u" MIN. GOLD	50u" MIN. NICKEL
3	30u" MIN. GOLD	
4	30u" MIN. GXT	
5	15u" MIN. GXT	90u" MIN. NICKEL
6	30u" MIN. GOLD	
7	15u" MIN. GOLD	
G	GOLD FLASH	

CONTACTS LUBRICATION

- 0: WITHOUT
- 1: WITH

NOTES:

- MATERIALS:**
HOUSING: HIGH PERFORMANCE RESINS, GLASS FIBER FILLED, UL94 V-0 RATED.
EJECTOR: HIGH PERFORMANCE RESINS, GLASS FIBER FILLED, UL94 V-0 RATED.
TERMINAL: COPPER ALLOY
FORKLOCK: COPPER ALLOY
- DATE CODE "MMDDYYL", MMDDYY IS ASSEMBLY DATE, L IS FCI PRODUCTION LINE.
- SPECIFICATION:**
PRODUCTION SPECIFICATION: FCI GS-12-1092.
PACKAGE SPECIFICATION: FCI GS-14-2267.
APPLICATION SPECIFICATION: FCI GS-20-0353.
- LEAD FREE PRODUCT MEETS EUROPEAN UNION DIRECTIVES AND OTHER COUNTRY REGULATIONS AS DESCRIBED IN FCI GS-22-008.
- THIS PRODUCT WILL WITHSTAND EXPOSURE TO 260°C PEAK TEMPERATURE FOR 10 SECONDS IN WAVE SOLDERING APPLICATION.

spec ref	dr	Nickor Zuo	2013/05/29	projection	MM	size	A3	scale	4:1
tolerance std	eng	Jeny Ren	2018/05/17		← →	ecn no	ELX-DG-30194-1		
TOLERANCES UNLESS OTHERWISE SPECIFIED						product family	-	rel level	Released
surface	linear	0.X	±0.30	Amphenol FCI	DDR4 288Pin DIMM CONNECTOR	dwg no	10124632	rev	L
		0.XX	±0.20						
		0.XXX	±0.10						
ASME Y14.5	angular	0°	±2°	cat. no.	-	Product - Customer Drw		sheet 5 of 5	

Mouser Electronics

Authorized Distributor

Click to View Pricing, Inventory, Delivery & Lifecycle Information:

[FCI / Amphenol:](#)

<u>10124632-0030001LF</u>	<u>10124632-0210001LF</u>	<u>10124632-0002001LF</u>	<u>10124632-0011001LF</u>	<u>10124632-0001003LF</u>
<u>10124632-0002206LF</u>	<u>10124632-0010003LF</u>	<u>10124632-0042213LF</u>	<u>10124632-0132003LF</u>	<u>10124632-0211103LF</u>
<u>10124632-0033001LF</u>	<u>10124632-0031001LF</u>	<u>10124632-0341K03LF</u>	<u>10124632-0061001LF</u>	<u>10124632-0011116LF</u>
<u>10124632-1131003LF</u>	<u>10124632-0341M03LF</u>	<u>10124632-0040013LF</u>	<u>10124632-1011003LF</u>	<u>10124632-1131001LF</u>
<u>10124632-0102001LF</u>	<u>10124632-1201001LF</u>	<u>10124632-0341J03LF</u>	<u>10124632-1201003LF</u>	<u>10124632-0003001LF</u>
<u>10124632-0241101LF</u>	<u>10124632-1000013LF</u>	<u>10124632-0241N03LF</u>	<u>10124632-0241P03LF</u>	<u>10124632-0011111LF</u>
<u>10124632-0242001LF</u>	<u>10124632-0041113LF</u>	<u>10124632-0211113LF</u>	<u>10124632-0201P03LF</u>	<u>10124632-1050013LF</u>
<u>10124632-0131001LF</u>	<u>10124632-0132001LF</u>	<u>10124632-0201617LF</u>	<u>10124632-1051113LF</u>	<u>10124632-020100GLF</u>
<u>10124632-0062001LF</u>	<u>10124632-0102301LF</u>	<u>10124632-020110GLF</u>	<u>10124632-1001113LF</u>	<u>10124632-0202003LF</u>
<u>10124632-0201606LF</u>	<u>10124632-0011311LF</u>	<u>10124632-020000GLF</u>	<u>10124632-0101301LF</u>	<u>10124632-0201N03LF</u>
<u>10124632-0060003LF</u>	<u>10124632-0241K03LF</u>	<u>10124632-0201Q03LF</u>	<u>10124632-0231601LF</u>	<u>10124632-0061103LF</u>
<u>10124632-0241J03LF</u>	<u>10124632-0212203LF</u>	<u>10124632-0201J07LF</u>	<u>10124632-0201615LF</u>	<u>10124632-0211003LF</u>
<u>10124632-1011301LF</u>	<u>10124632-0261007LF</u>	<u>10124632-0201M03LF</u>	<u>10124632-0262007LF</u>	<u>10124632-0232603LF</u>
<u>10124632-0201007LF</u>	<u>10124632-0201J03LF</u>	<u>10124632-0131411LF</u>	<u>10124632-0211B03LF</u>	<u>10124632-0211013LF</u>
<u>10124632-0242003LF</u>	<u>10124632-0052201LF</u>	<u>10124632-0202007LF</u>	<u>10124632-0040011LF</u>	<u>10124632-0201K03LF</u>
<u>10124632-1011001LF</u>	<u>10124632-0001301LF</u>	<u>10124632-0202607LF</u>	<u>10124632-0201607LF</u>	<u>10124632-0051101LF</u>
<u>10124632-0030011LF</u>	<u>10124632-0211603LF</u>	<u>10124632-0013001LF</u>	<u>10124632-0030013LF</u>	<u>10124632-0201403LF</u>
<u>10124632-0041111LF</u>	<u>10124632-0150311LF</u>	<u>10124632-0240001LF</u>	<u>10124632-0031113LF</u>	<u>10124632-0041101LF</u>
<u>10124632-0012801LF</u>	<u>10124632-0051411LF</u>	<u>10124632-0101103LF</u>	<u>10124632-0011416LF</u>	<u>10124632-0211701LF</u>
<u>10124632-0050001LF</u>	<u>10124632-0052501LF</u>	<u>10124632-0201001LF</u>	<u>10124632-0011016LF</u>	<u>10124632-0040001LF</u>