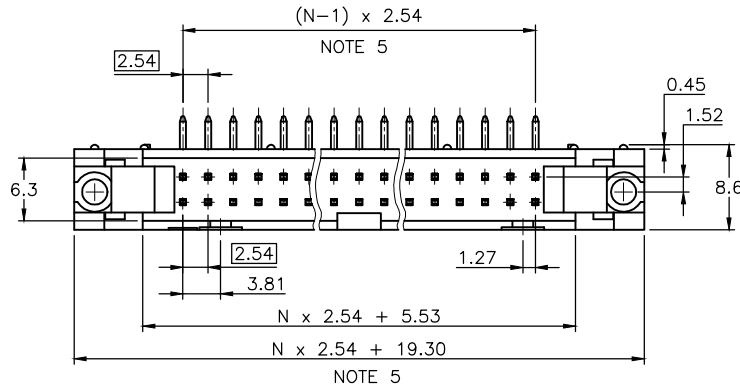


**PRODUCT NUMBER**

**71922-YXXZLF**

- RoHS COMPATIBLE, SEE NOTE 10
- = STANDARD HOUSING COLOR GREY (WITHOUT OPTIONAL LETTER)
- B= OPTIONAL HOUSING COLOR BLACK
- S= SPECIFIC CUSTOMER PLATING OPTION HOUSING COLOR GREY
- TOTAL NB OF POSITIONS, SEE SHEET 2
- LATCHING
  - 0= WITHOUT LATCH
  - 1= STANDARD LATCH
  - 2= LOW PROFILE LATCH



**NOTES:**

- 1 - HOUSING MAT'L : GLASS FILLED THERMOPLASTIC. UL94V-0
- 2 - PIN MATERIAL : PHOSPHOR BRONZE
- 3 - PRODUCT PACKAGED IN TUBES
- 4 - 40N MIN LATCH RETENTION FORCE AT FIRST EXTRACTION
- 5 - TO DETERMINE DIMENSIONS :  
N = NUMBER OF POSITIONS PER ROW  
EXAMPLE : 8 POS N x 2.54 = 20.32mm
- 6 - NO CENTRAL SLOT ON POSITIONS 6 & 8
- 7 - NO LEFT POLARIZATION ON POSITIONS 06, 08, 10, 14.
- 8 - NO GROOVE ON POSITIONS 06, 08, 10, 14, 30, 34
- 9 - 4.5mm SOLDER TAIL  
ORDER 71922-4XX (WITH STANDARD LATCH ONLY)  
ORDER 71922-5XX (WITH LOW PROFILE LATCH ONLY)
- 10 - RoHS COMPATIBLE PRODUCT SPECIFICATIONS

**a - PLATING:**

- "LF" MEANS THE PRODUCT IS LEAD-FREE, 2µm MINIMUM MATTE TIN OVER 1.27µm MINIMUM NICKEL UNDERPLATE.

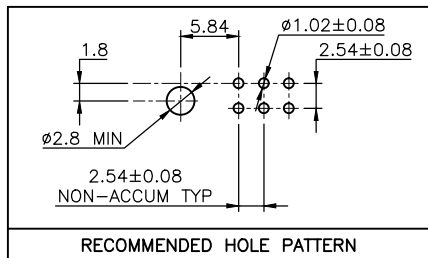
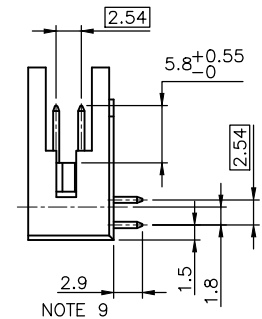
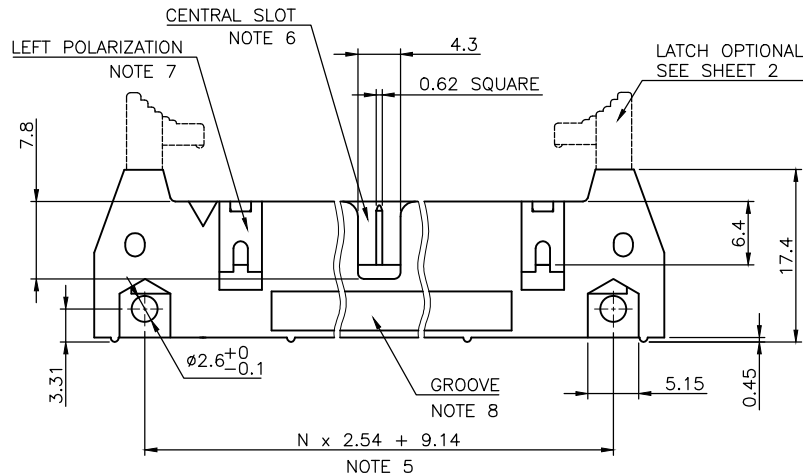
**b - MANUFACTURING PROCESS COMPATIBILITY**

- THE HOUSING WILL WITHSTAND EXPOSURE TO 260°C ±5°C SOLDER BATH TEMPERATURE FOR 5 SECONDS IN A WAVE SOLDER APPLICATION WITH A 1.6mm MIN THICK CIRCUIT BOARD.

**c - LABELING:**

- MEETS PACKAGING SPECS AS PER GS-14-920

**d - LEGAL STATEMENT: SEE GS-47-0004.**

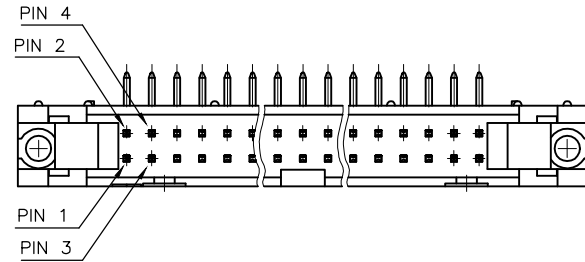


mat'l. code		surface		tolerance		projection		product family	
SEE NOTES		ISO 1302 ✓		ISO 406 ISO 1101		mm		QUICKIE	
ltr	ecn no dr date	tolerances unless otherwise specified		XX ±0.3		mm		title	
V	F10-0054 LMU 10.05.19	angles		.XX ±0.13		scale 2:1		SHR.EL.HEADER	
W	B-16776 LMU 14.01.23	linear		.XXX ±0.05		FCI		RA DR TMT	
X	B-18018 JCO 14.06.19	dr		D.LE 01.01.24		sheet 1 of 2		size	
Y	B-18236 LMU 14.07.08	engr		JM.C 01.01.24		71922		A3	
AA	B-19092 LMU 14.10.16	chr		JF.N 01.01.24		type		CUSTOMER Drawing	
AB	B-20349 BVE 15.03.02	appd		JM.C 01.01.24					
sheet index	revision sheet	AB	T						
	1 2								

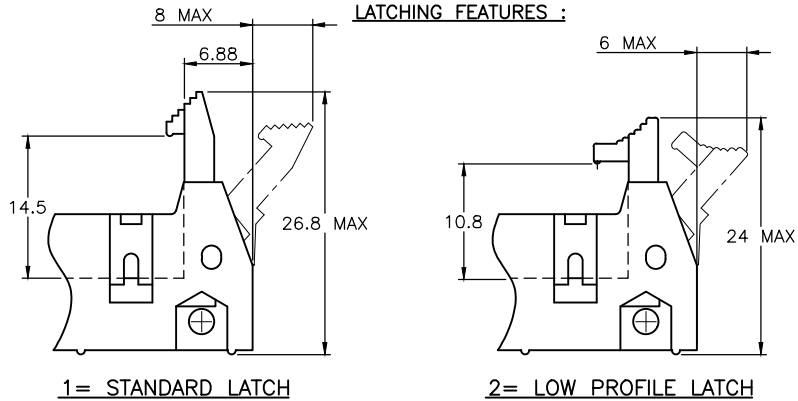
PRODUCT NUMBER	SIZE	LATCHING AVAILABILITY	MISSING PIN POSITIONS
71922-X06(B)LF	2x3	0/1/2	
71922-X08(B)LF	2x4	0/1/2	
71922-X10(B)LF	2x5	0/1/2	
71922-X14(B)LF	2x7	0/1/2	
71922-X16(B)LF	2x8	0/1/2	
71922-X18(B)LF	2x9	0/1/2	
71922-X20(B)LF	2x10	0/1/2	
71922-X26(B)LF	2x13	0/1/2	
71922-X28(B)LF	2x13	0/1/2	PIN 5 TO 12
71922-X30(B)LF	2x15	0/1/2	
71922-X34(B)LF	2x17	0/1/2	
71922-X35(B)LF	2x17	0/1/2	PIN 2 & 3
71922-X39(B)LF	2x20	0/1/2	PIN 20
71922-X40(B)LF	2x20	0/1/2	
71922-X44(B)LF	2x22	0/1/2	
71922-X50(B)LF	2x25	0/1/2	
71922-X60(B)LF	2x30	0/1/2	
71922-X64(B)LF	2x32	0/1/2	

**PLATING :**

- 0.76µm GOLD/GXT (PdNi WITH GOLD FLASH) ON CONTACT AREA
- 2µm MIN MATTE TIN ON TAIL
- UNDERPLATE : 1.27µm Ni MIN



**LATCHING FEATURES :**



mat'l. code		surface		tolerance		projection		product family	
		ISO 1302		ISO 406		ISO 1101		QUICKIE	
ltr		ecn no		dr		date		title	
M		F06-0229		LMU		06.07.17		SHR.EL.HEADER	
N		F07-0195		LMU		07.05.25		RA DR TMT	
P		F08-0146		YOV		08.04.11		scale 2:1	
R		B-16776		LMU		14.01.23		dr	
S		B-19092		LMU		14.10.16		engr	
T		B-20349		BVE		15.03.02		chr	
								appd	
sheet		revision							
index		sheet							



Copyright FCI

# Mouser Electronics

Authorized Distributor

Click to View Pricing, Inventory, Delivery & Lifecycle Information:

## [FCI / Amphenol:](#)

[71922-034](#) [71922-220](#) [71922-214LF](#) [71922-150LF](#) [71922-160LF](#) [71922-164LF](#) [71922-010](#) [71922-020](#) [71922-210](#)  
[71922-240](#) [71922-106](#) [71922-150](#) [71922-126](#) [71922-160](#) [71922-164](#) [71922-140](#) [71922-114](#) [71922-120](#) [71922-](#)  
[144](#) [71922-110](#) [71922-116](#) [71922-134](#) [71922-114LF](#) [71922-110LF](#) [71922-106LF](#) [71922-116LF](#) [71922-144LF](#)  
[71922-140LF](#) [71922-126LF](#) [71922-134LF](#) [71922-120LF](#) [71922-006LF](#) [71922-008LF](#) [71922-010LF](#) [71922-014LF](#)  
[71922-016LF](#) [71922-018LF](#) [71922-020LF](#) [71922-026LF](#) [71922-030LF](#) [71922-040LF](#) [71922-044LF](#) [71922-049LF](#)  
[71922-050LF](#) [71922-060LF](#) [71922-064LF](#) [71922-108LF](#) [71922-118LF](#) [71922-130LF](#) [71922-206LF](#) [71922-208LF](#)  
[71922-210LF](#) [71922-216LF](#) [71922-218LF](#) [71922-226LF](#) [71922-230LF](#) [71922-234LF](#) [71922-240LF](#) [71922-244LF](#)  
[71922-249LF](#) [71922-250LF](#) [71922-260LF](#) [71922-264LF](#) [71922-214](#) [71922-139LF](#) [71922-220LF](#) [71922-034LF](#)  
[71922-550LF](#) [71922-134SLF](#) [71922-120BLF](#) [71922-460LF](#) [71922-440LF](#) [71922-416LF](#) [71922-450LF](#) [71922-408LF](#)  
[71922-410LF](#) [71922-414LF](#) [71922-430LF](#) [71922-434LF](#) [71922-420LF](#) [71922-426LF](#) [71922-444LF](#) [71922-464LF](#)  
[71922-128LF](#)