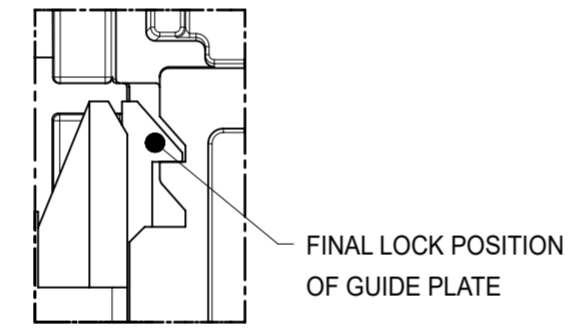
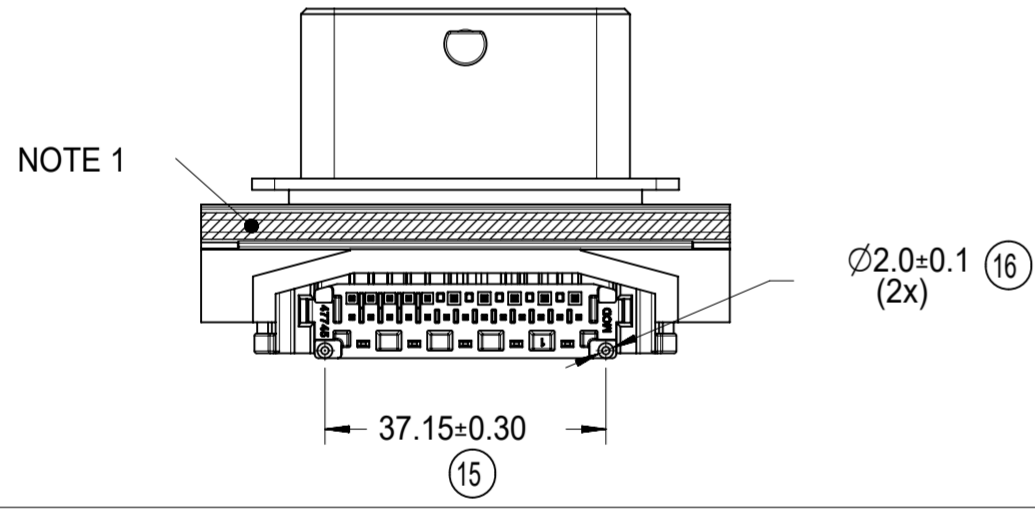
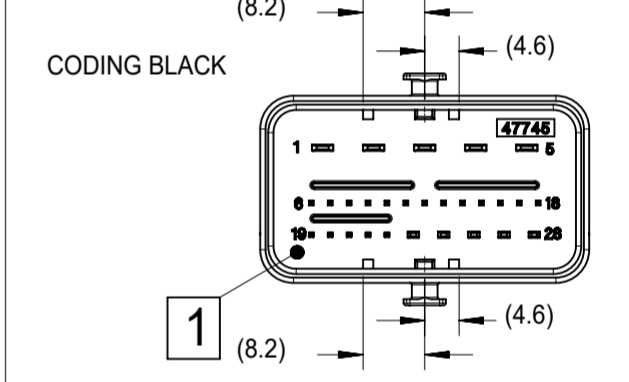
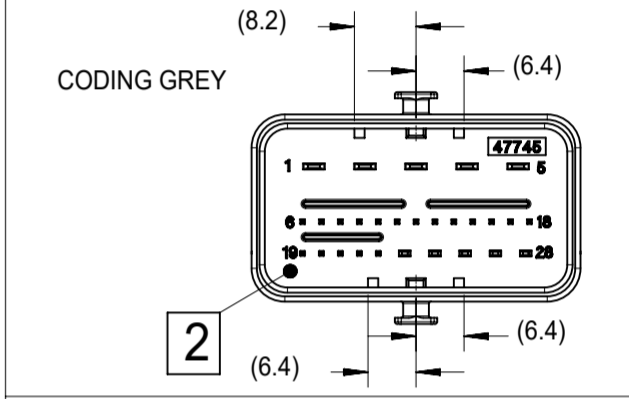
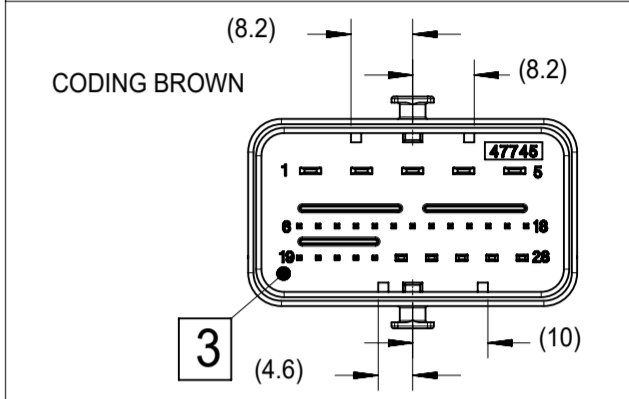


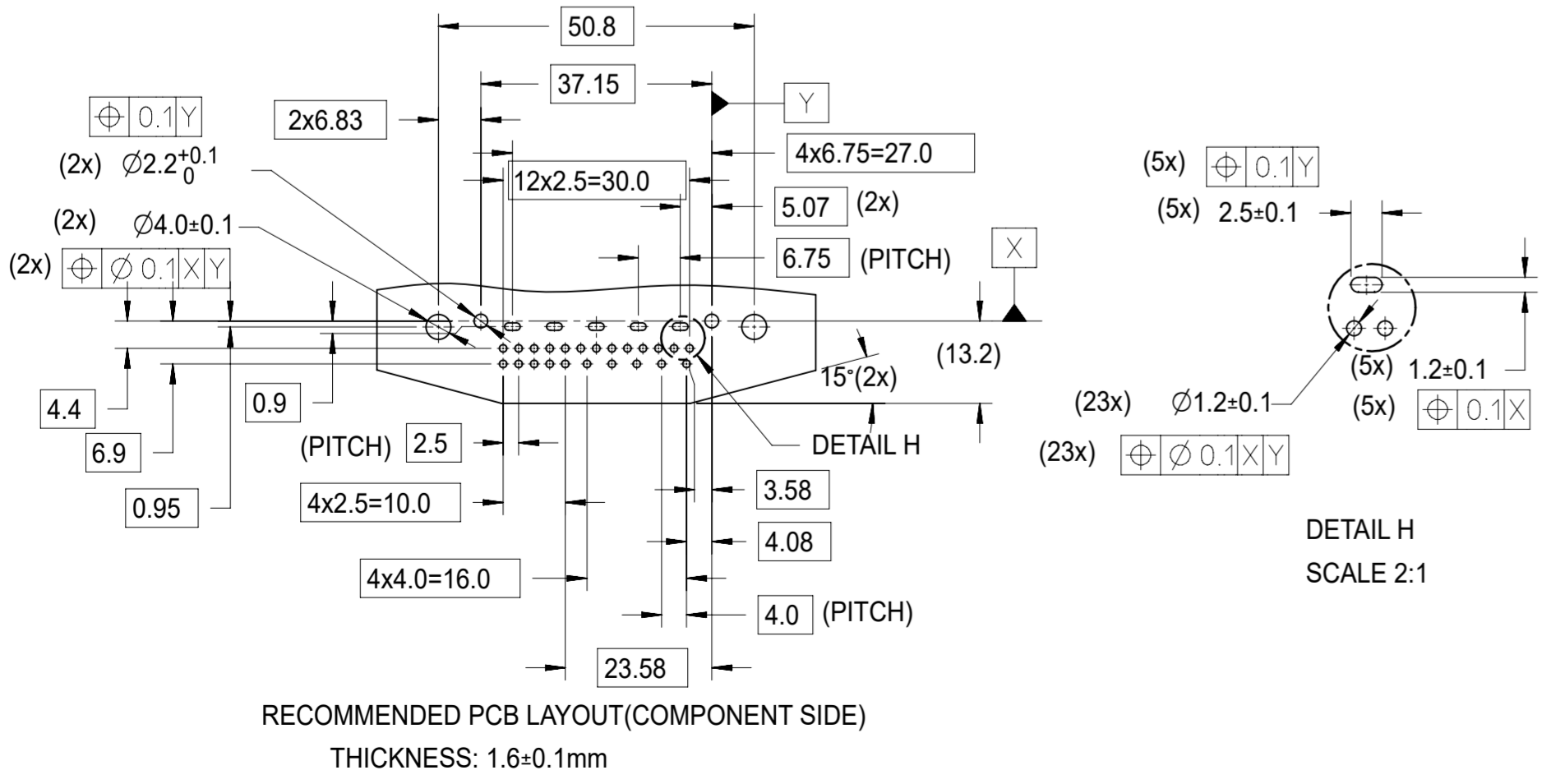
- NOTES:
- RECOMMENDED SEALED AREA
RECOMMENDED ADHESIVE WITH COHESION FAILURE ABOVE 80% (TESTED IN LAB WITH TENSILE BAR):
THREEBOND 1207B
WACKER SEMICOSIL 987 GR
DOW CORNING EA-6052
FOR REFERENCE ONLY, IT IS CUSTOMER RESPONSIBILITY TO SELECT AND QUALIFY ADHESIVE TYPE BASED ON HIS OWN EXPERIENCE, EQUIPMENT AND INTERNAL PROCEDURES
 - THE PRODUCT MUST MEET THE GUIDELINE OF ENVIRONMENTAL CONDITIONS FOR HAZARDOUS SUBSTANCES (GUIDELINE FOR CHEMICAL SUBSTANCES)
 - MARKING FOR CODING: APPLY ASSIGNED COLOR INK
CODING BLACK: NO PRINT
CODING GREY: COLOR GREY
CODING BROWN: COLOR BROWN
 - MATING WITH CMC 28W CONNECTOR
MATERIAL PART NUMBER:
LEFT WIRE OUTPUT CODING BALCK: 64318-1011
LEFT WIRE OUTPUT CODING GREY: 64318-1018
LEFT WIRE OUTPUT CODING BROWN: 64318-1019
RIGHT WIRE OUTPUT CODING BALCK: 64318-3011
RIGHT WIRE OUTPUT CODING GREY: 64318-3018
RIGHT WIRE OUTPUT CODING BROWN: 64318-3019
 - INTERFACE DRAWING REFER TO SD-64318-002.



INSPECTION NUMBER LOG
LAST NUMBER USED: 18
ADDED:
REMOVED:

	CMC 28ckt hdr Coding Black	CMC 28ckt hdr Coding Grey	CMC 28ckt hdr Coding Brown	CMC 28ckt hdr Coding Black	CMC 28ckt hdr Coding Grey	CMC 28ckt hdr Coding Brown	DESCRIPTION
	477450100	477450200	477450300	477450400	477450500	477450600	MOLEX MATERIAL NO.
	3.6mm	3.6mm	3.6mm	2.9mm	2.9mm	2.9mm	DIM A - PIN LENGTH FOR SOLDER SIDE
	PK-47745-100	PK-47745-100	PK-47745-100	PK-47745-100	PK-47745-100	PK-47745-100	PACKAGING
	36.5g	36.5g	36.5g	36.4g	36.4g	36.4g	WEIGHT MEASURED

ITEM	DESCRIPTION	MATERIAL	UNIT	AMOUNT	AMOUNT	AMOUNT	AMOUNT	AMOUNT	AMOUNT	VIEW PART				
8	Pin 2.8 - L Version	Brass plating Ni overall 1µm min. Tin conatct side 2µm min. Tin Solder side	Piece	5	5	5	---	---	---					
	Pin 2.8 - S Version		Piece	---	---	---	5	5	5					
7	Pin 1.5 - L Version	PBT, UL 94-HB Color Black	Piece	5	5	---	---	---						
	Pin 1.5 - S Version		Piece	---	---	---	5	5			5			
6	Pin 0.64(Long) - L Version	PBT, UL 94-HB Color Black	Piece	13	13	13	---	---						
	Pin 0.64(Long) - S Version		Piece	---	---	---	13	13				13		
5	Pin 0.64(Short) - L Version	PBT, UL 94-HB Color Black	Piece	5	5	5	---	---						
	Pin 0.64(Short) - S Version		Piece	---	---	---	5	5					5	
4	Guide Plate	PBT, UL 94-HB Color Black	Piece	1	1	1	1	1					1	
3	Housing(Coding: Brown)		Piece	---	---	1	---	---					1	
2	Housing(Coding: Grey)	PBT, UL 94-HB Color Black	Piece	---	1	---	---	1		---				
1	Housing(Coding: Black)		Piece	1	---	---	1	---		---				
			Piece	1	---	---	1	---	---					



FUNCTIONAL SYMBOLS: FA=0, FC=0, FP=0

DIMENSION UNITS: mm

SCALE: 1:1

GENERAL TOLERANCES (UNLESS SPECIFIED): ANGULAR TOL ± 2.0°

4 PLACES ±

3 PLACES ±

2 PLACES ± 0.25

1 PLACE ± 0.25

0 PLACES ±

DRAFT WHERE APPLICABLE MUST REMAIN WITHIN DIMENSIONS

THIS DRAWING CONTAINS INFORMATION THAT IS PROPRIETARY TO MOLEX ELECTRONIC TECHNOLOGIES, LLC AND SHOULD NOT BE USED WITHOUT WRITTEN PERMISSION

CURRENT REV DESC: NOTES UPDATE TO ADD ADHESIVE INFORMATION

EC NO: 661295

DRWN: BHU02

CHK'D: HWBAI

APPR: JDENG02

INITIAL REVISION:

DRWN: TLUO

APPR: PBERG

2021/04/19

2021/05/09

2021/05/12

2011/09/23

2011/10/26

THIRD ANGLE PROJECTION

DRAWING: A2-SIZE

SERIES: 47745

DOCUMENT NUMBER: SD-47745-100

DOC TYPE: PSD

DOC PART: 001

REVISION: A3

MATERIAL NUMBER: SEE TABLE

CUSTOMER: GENERAL MARKET

SHEET NUMBER: 1 OF 1