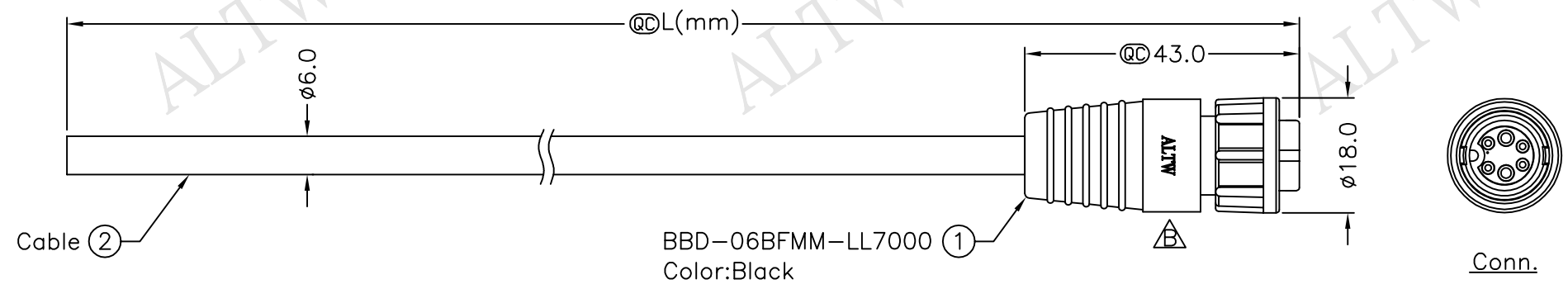


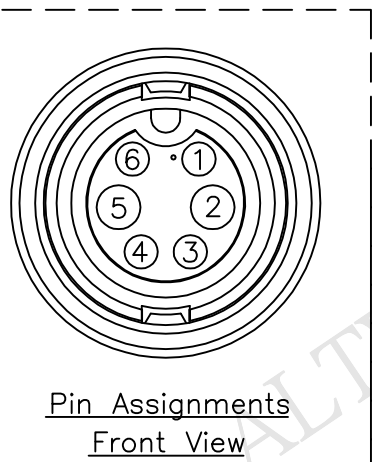
5	6	7	8
REV. B	ECN NO. LEN1610015~018	DATE 2015/12/28	SIGN Vicky
			DESCRIPTION Update Logo & Note

THIS DOCUMENT IS SUBJECT TO CHANGE WITHOUT NOTICE. IT IS CONFIDENTIAL AND A PROPERTY OF Amphenol LTW. DISCLOSURE TO THIRD PARTY HAS TO BE AUTHORIZED BY Amphenol LTW.

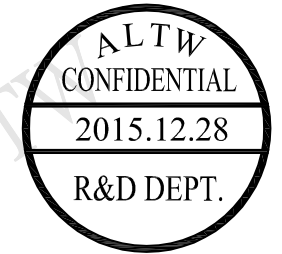
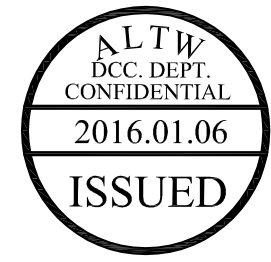


BBD-06BFMM-LL7AXX  
 ↑  
 XX:01~99Meter  
 01:01Meter  
 02:02Meters  
 :  
 :  
 99:99Meters

Cable Length(L):01~99Meters



6	Gray (24AWG)	灰
5	Blue (20AWG)	藍
4	Yellow (24AWG)	黃
3	Green (24AWG)	綠
2	Brown (20AWG)	棕
1	White (24AWG)	白
Conn.	Wire Color	
	Pin Out	



- Note:
- \* @C Important Dimension To Check.
  - \* Waterproof Rate: IP67
  - \* Housing: Nylon+GF, Black
  - \* Male Pin: Copper Alloy, Gold Plated
  - \* Cable: UL2464(20AWG\*2C+24AWG\*4C)+Drain+Al/My, PVC Jacket, UV Resistant, OD=6.0mm, Black
  - \* Cable Length Tolerance:01M:±40mm  
 02M~05M:±60mm  
 06M~10M:±100mm  
 11M~30M:±200mm  
 31M~99M:±500mm

UNIT:mm	TITLE Standard		ITEM NO		DRAWN BY Vicky	DATE 2015/12/28
TOLERANCE ±0.5 mm	Cable Lock 6Pin F Conn M Pin		DWG NO BBD-06BFMM-LL7A <u>XX</u>		CHECKED BY Rita	DATE 2015/12/28
	SCALE Free	SHEET 1 OF 1	CUSTOMER ALTW		APPROVED BY Lisa	DATE 2015/12/28
	REV. B	SIZE A4	QC :Inspection Item			
1	2	3	4	5	6	7

**Amphenol LTW**  
 安費諾亮泰企業股份有限公司