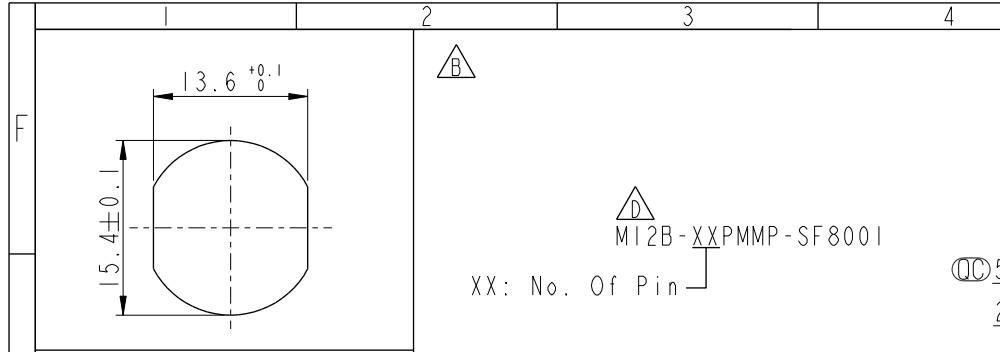


THIS DOCUMENT IS SUBJECT TO CHANGE WITHOUT NOTICE. IT IS CONFIDENTIAL AND A PROPERTY OF Amphenol LTW. DISCLOSURE TO THIRD PARTY HAS TO BE AUTHORIZED BY Amphenol LTW.

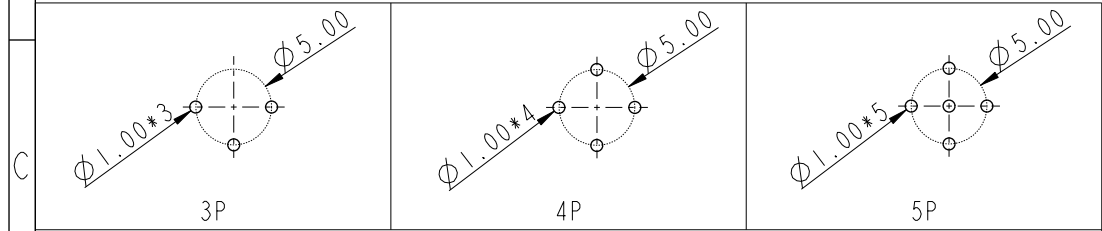
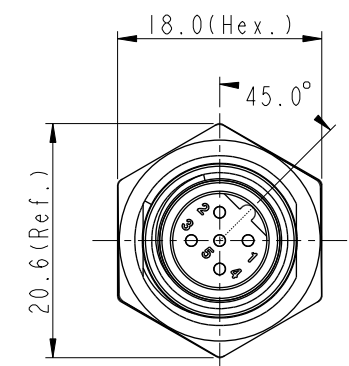
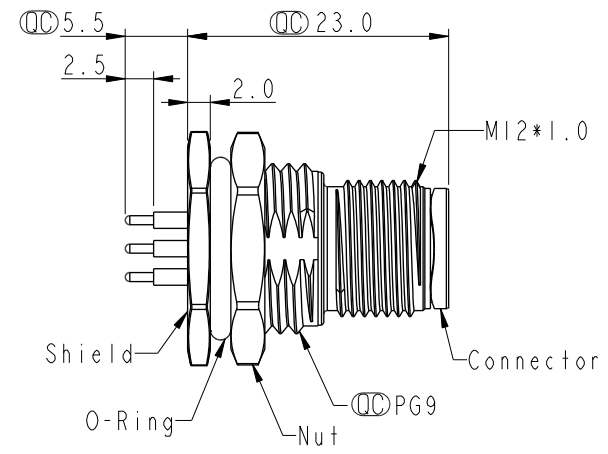
| REV. | ECN NO. | DATE | SIGN | DESCRIPTION |
|------|---------|------------|-------|------------------|
| D | C201473 | 2020/09/24 | Vicky | $\triangle D$ *3 |
| E | C210024 | 2021/01/12 | Vicky | $\triangle E$ *2 |
| F | C210309 | 2021/02/03 | Ruru | $\triangle F$ X2 |



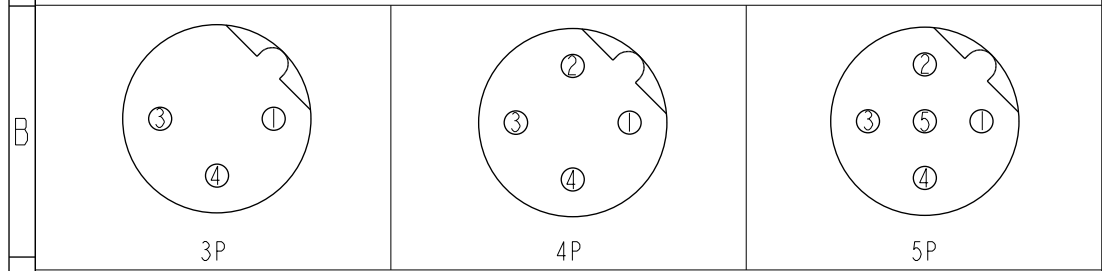
Recommended Panel Cut-Out



$\triangle D$
M12B-XXPMP-SF8001
XX: No. Of Pin



PCB Layout



Pin Assignment Front View

- $\triangle D$ $\triangle E$ Note:
- * RoHS Compliant
 - * CC Important dimension
 - $\triangle C$ * Waterproof rate: IPX8, unmated 1m/24h
IPX9K, unmated
 - * Connector
Housing: Thermoplastic, Black
Pin: Copper alloy, Gold plated
 - $\triangle E$ * Shield: Metal
 - * Nut: Metal
 - $\triangle C$ * O-Ring: Rubber, Black
 - * For panel thickness max: 4.5mm
 - * Nut is packed separately in pe bag

| | | |
|-----------|------|-------|
| UNIT: mm | | |
| TOLERANCE | .X | ±0.25 |
| | .XX | ±0.1 |
| | .XXX | ±0.05 |
| ANGLES | | ±1° |

| | | | |
|--|----------------|-------------------------------|--|
| TITLE N SEN, M12 B, SCREW RECEPTACLE, M, M, PCB S $\triangle F$ | | | |
| SCALE 3:2 | SIZE A4 | SHEET 1 OF 1 | |
| REV. F | WC-REV. A.5 | CC : Inspection item | |

Amphenol LTW
安費諾亮泰企業股份有限公司

| | | |
|---|-------------------------|--------------------|
| ITEM NO. | DRAWN BY Yulong_wang | DATE 2016-09-05 |
| DWG. NO. $\triangle X$ M12B-XXPMP-SF8001 | CHECKED BY Jinhai | DATE 2016-09-05 |
| CUSTOMER ALTW | APPROVED BY Jerry | DATE 2016-09-05 |