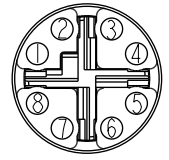
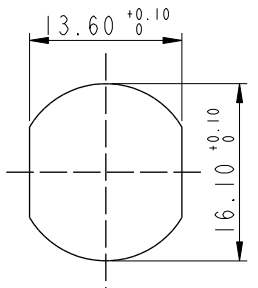


THIS DOCUMENT IS SUBJECT TO CHANGE WITHOUT NOTICE. IT IS CONFIDENTIAL AND A PROPERTY OF Amphenol LTW. DISCLOSURE TO THIRD PARTY HAS TO BE AUTHORIZED BY Amphenol LTW.

REV.	ECN NO.	DATE	SIGN	DESCRIPTION
C	C201348	2020/08/29	JC Chen	$\triangle C$ X4
D	C201549	2020/10/20	Vicky	$\triangle D$ X5
E	C210219	2021/03/05	Vicky	$\triangle E$ X3



8P

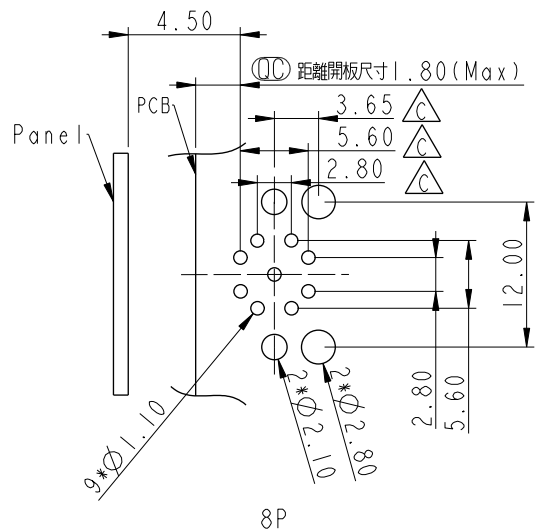
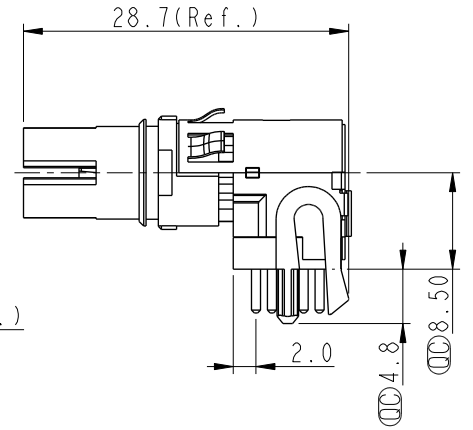
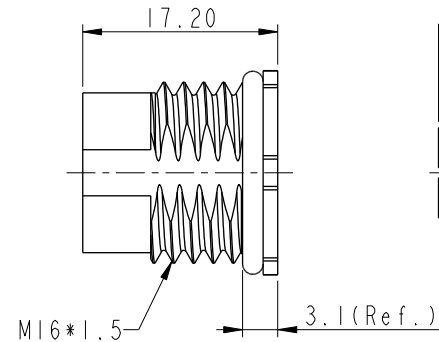
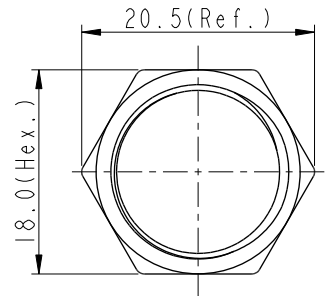
Recommended Panel Cut-out

Pin Assignments Front View

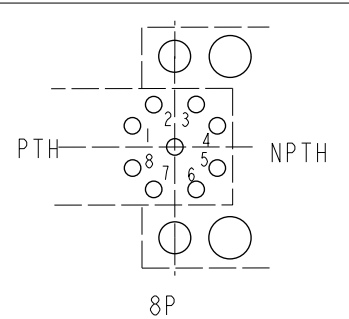
$\triangle D$ MSXS-XXPFFR-SF7002

XX: No. Of Pin

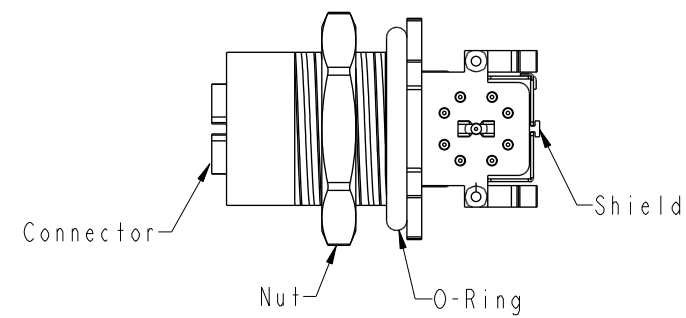
$\triangle C$



PCB Layout



Pin Definition



$\triangle B$

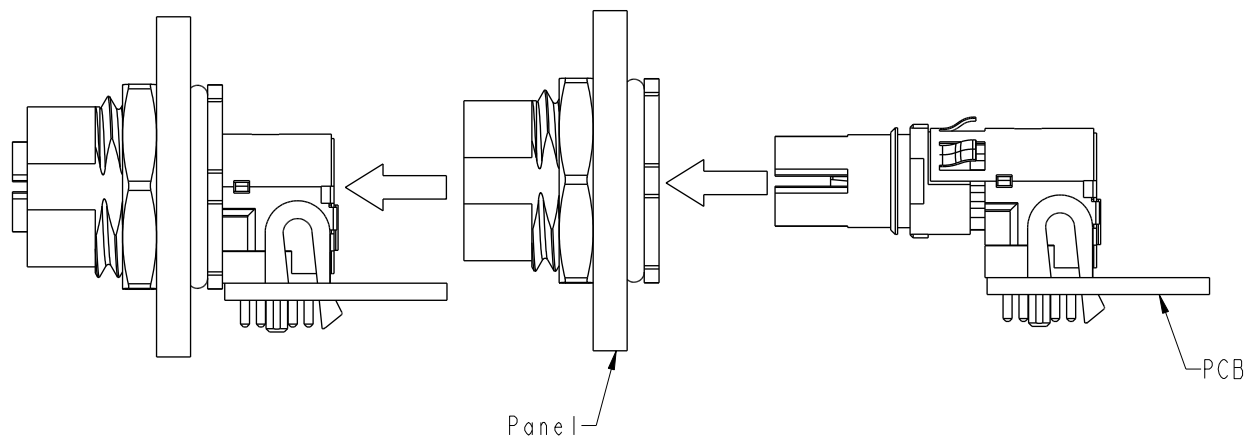
UNIT: mm		
TOLERANCE	.X	±0.25
	.XX	±0.1
	.XXX	±0.05
ANGLES		±1°

TITLE N SEN, M12 X -SHLD, SCREW RECEPTACLE, F, F, PCB R			$\triangle E$
SCALE	Free	SIZE	A4
		SHEET	1 OF 2
REV.	E	WC-REV.	.0
◎: Inspection item			

Amphenol LTW
安費諾亮泰企業股份有限公司

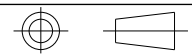
ITEM NO	MSXS-XXPFFR-SF7002	DRAWN BY	Xiaofeng	DATE	2019/07/17
DWG NO	MSXS-XXPFFR-SF7002	CHECKED BY	Feng-Li	DATE	2019/07/17
CUSTOMER	ALTW	APPROVED BY	Jerry	DATE	2019/07/17

Assembly:



- Note:**
- * RoHS Compliant
 - * QC Important dimension
 - * Waterproof rate: IPX7, mated
 - * Connector
 - Housing: Thermoplastic, Black
 - Pin: Copper alloy, Gold plated
 - Gasket: Rubber, Black
 - * Shield: Metal
 - * Nut: Metal
 - * O-Ring: Rubber, Black
 - * For panel thickness max: 5.0mm
 - * For pcb thickness: 1.6~2.4mm
 - * Nut is packed separately in PE bag

UNIT: mm



TITLE N SEN, M12 X -SHLD, SCREW RECEPTACLE, F, F, PCB R			
SCALE Free	SIZE A4	SHEET 2 OF 2	
REV. E	WC-REV.	QC : Inspection item	

Amphenol LTW
安費諾亮泰企業股份有限公司

ITEM NO	DRAWN BY Xiaofeng	DATE 2019/07/17
DWG NO $\text{MSXS-XXPFFR-SF7002}$	CHECKED BY Feng-Li	DATE 2019/07/17
CUSTOMER ALTW	APPROVED BY Jerry	DATE 2019/07/17