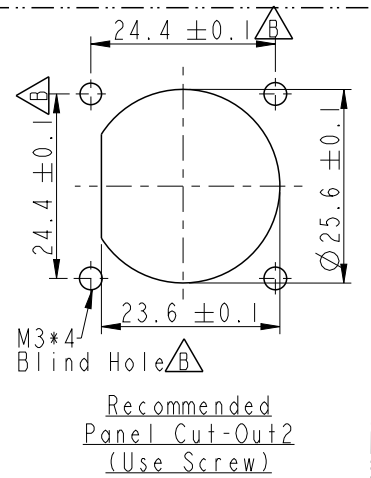
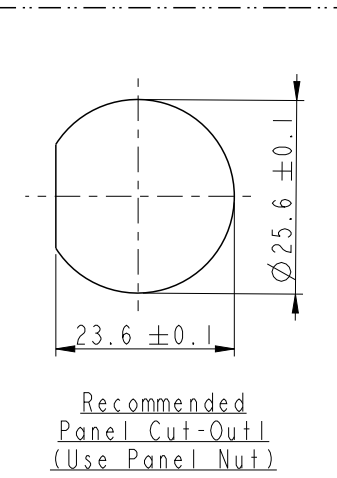
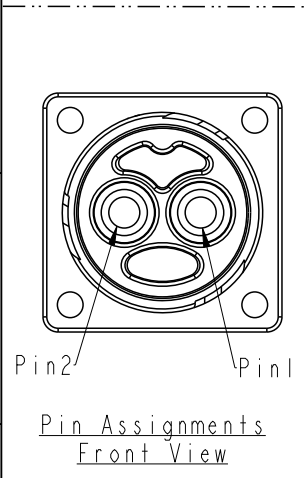
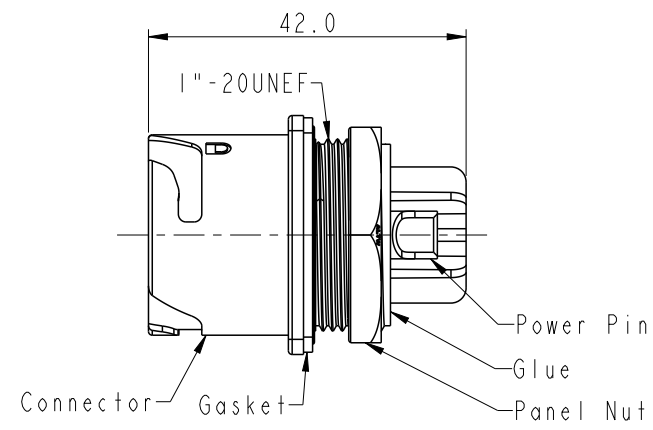
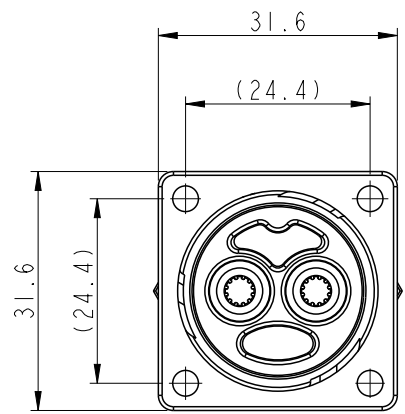


THIS DOCUMENT IS SUBJECT TO CHANGE WITHOUT NOTICE. IT IS CONFIDENTIAL AND A PROPERTY OF Amphenol LTW. DISCLOSURE TO THIRD PARTY HAS TO BE AUTHORIZED BY Amphenol LTW.

REV.	ECN NO.	DATE	SIGN	DESCRIPTION
A		2019/11/29	NianPing Yu	New initial
B	C200846	2020/06/16	Bovan Lu	$\triangle B$ X4



- $\triangle B$ Notes:
- * Waterproof Rate: IP67(Mated).
 - * Connector: Thermoplastic, Black.
 - * Power Pin: Copper Alloy, Gold Plated.
 - * Gasket: Rubber.
 - * Panel Nut: Thermoplastic, Black.
 - * Use Waterproof Cap or Dust Cap
 - Panel Thickness Max.: 3.0mm.
 - * Without Waterproof Cap or Dust Cap
 - Panel Thickness Max.: 4.0mm.
 - * Other:
 - Recommended Wire Spec(Power):
Conductor: 8 AWG(8.37mm²)
 - Current Rating: 50A.
 - Voltage Rating: 600V.
 - Un-assembly Nut Shipment.

UNIT:mm		
TOLERANCE ±0.5 mm		

TITLE PWR 50A 02P REAR FASTENED M F SOLDER 3LOCK			
SCALE 1:1	SIZE A4	SHEET 1 OF 1	
REV. B	WC-REV. .0	QC: Inspection item	

Amphenol LTW
安費諾亮泰企業股份有限公司

ITEM NO PWM-02RMFS-TS7001	DRAWN BY NianPing Yu	DATE 2019/11/29
DWG NO PWM-02RMFS-TS7001	CHECKED BY Fisher Wang	DATE 2019/11/29
CUSTOMER ALTW	APPROVED BY Max Yang	DATE 2019/11/29